

CONTENTS:

- 1.0 PCU TOP
- 2.0 DATA PATHS
 - 2.1 SOURCE BUS DATA INTERFACE
 - 2.2 DEST BUS DATA INTERFACE
 - 2.3 MBUS DATA INTERFACE
 - 2.4 DATA PARITY CHECKER
 - 2.5 INT DATA SAVE REGISTER
 - 2.6 REF AND MODIFIED
 - 2.7 PHYSICAL CACHE
 - 2.7.1 CACHE MEMORY ARRAY
 - 2.8 PHYSICAL CACHE (SHEET 2)
- 3.0 ADDRESS PATHS
 - 3.1 SCANNABLE ADDR REGISTER (BODY INNARDS)
 - 3.2 ADDR DECODE AND TAGS
 - 3.2.1 TAG STORE
 - 3.2.2 ADDRESS DECODE
 - 3.2.3 ADDRESS DECODE (PART 2)
 - 3.3 FAULT ADDRESS GENERATOR
 - 3.4 CACHE ADDR GENERATOR
 - 3.5 MCU ADDRESS GENERATOR
 - 3.6 ADDR SAVE REGISTER (FOR LOGGING)
- 4.0 PCU CONTROL FUNCTIONS
 - 4.1 MASTER TIMING
 - 4.2 MASTER TIMING (PART 2)
 - 4.3 DBUS (DIAGNOSTIC) INTERFACE
 - 4.4 SCAN (AND SOME CLOCK) CONTROL
 - 4.5 READ DATA PIPE CONTROL
 - 4.6 ADDRESS PIPE CONTROL
 - 4.7 WRITE DATA PIPE CONTROL
 - 4.8 DATA BUS DIRECTION CONTROL
 - 4.9 FAULT STATE MACHINE (ROM SEQUENCER)
 - 4.10 HAZARD LOGIC
- 5.0 ODDS AND ENDS
- 6.0 PERFORMANCE MONITOR SIGNALS
- 7.0 SPARES

PHYSICAL CACHE UNIT

REVISION HISTORY

REV D.02 - INITIAL REV D RELEASE

THIS DOCUMENT CONTAINS INFORMATION PROPRIETARY TO CONVEX COMPUTER CORPORATION (CONVEX). USE OR DISCLOSURE WITHOUT THE WRITTEN PERMISSION OF AN OFFICER OF CONVEX IS EXPRESSLY FORBIDDEN. COPYRIGHT (C) CONVEX 1985

DEFINE
X-FIRST-
DATE-2111

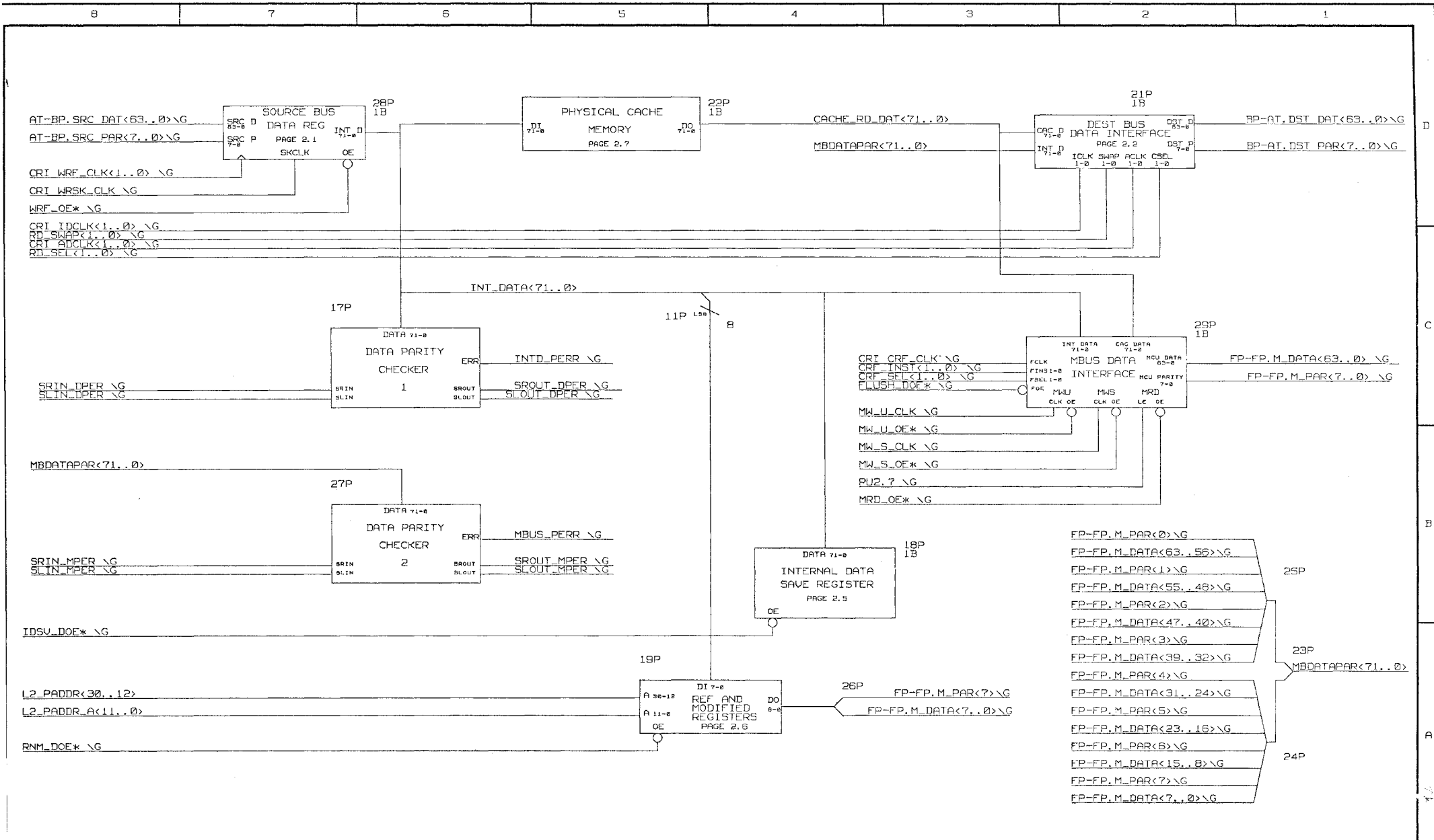


CONVEX

TITLE: PCU
DRAWING: 410-000124-300 Rev D.02
REVISED: Mon Feb 11 16:26:37 1985

ABBR: PCU
ENGR: WEATHERFORD

PAGE: PCU.1



THIS DOCUMENT CONTAINS INFORMATION PROPRIETARY TO CONVEX COMPUTER CORPORATION (CONVEX). USE OR DISCLOSURE WITHOUT THE WRITTEN PERMISSION OF AN OFFICER OF CONVEX IS EXPRESSLY FORBIDDEN. COPYRIGHT (C) CONVEX 1985

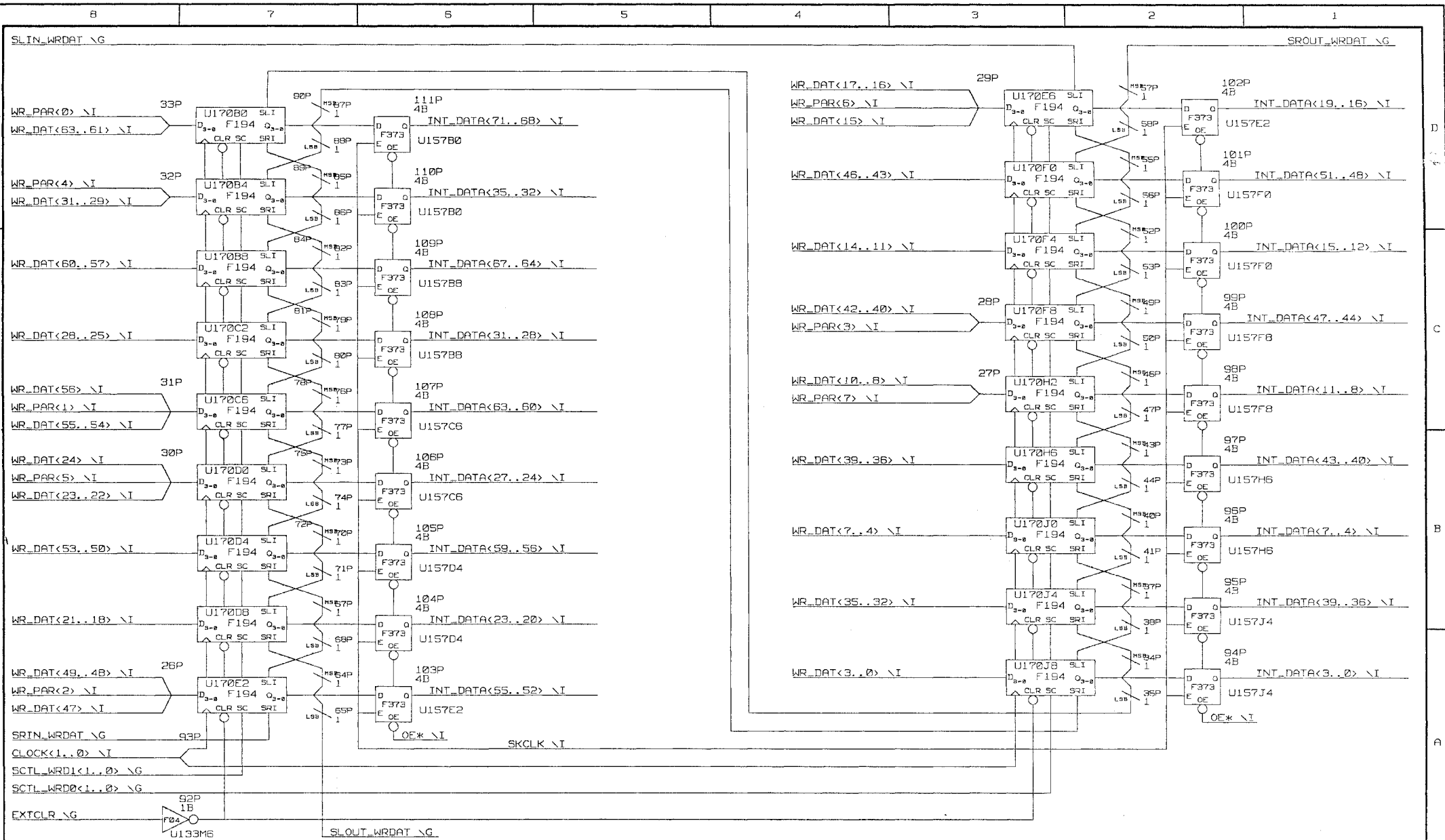


CONVEX

TITLE: PCU DATA PATHS
DRAWING: 410-000124-300 Rev D.02
REVISED: Mon Feb 11 14:51:41 1985

ABBR: PCU
ENGR: WEATHERFORD

PAGE: PCU, 2



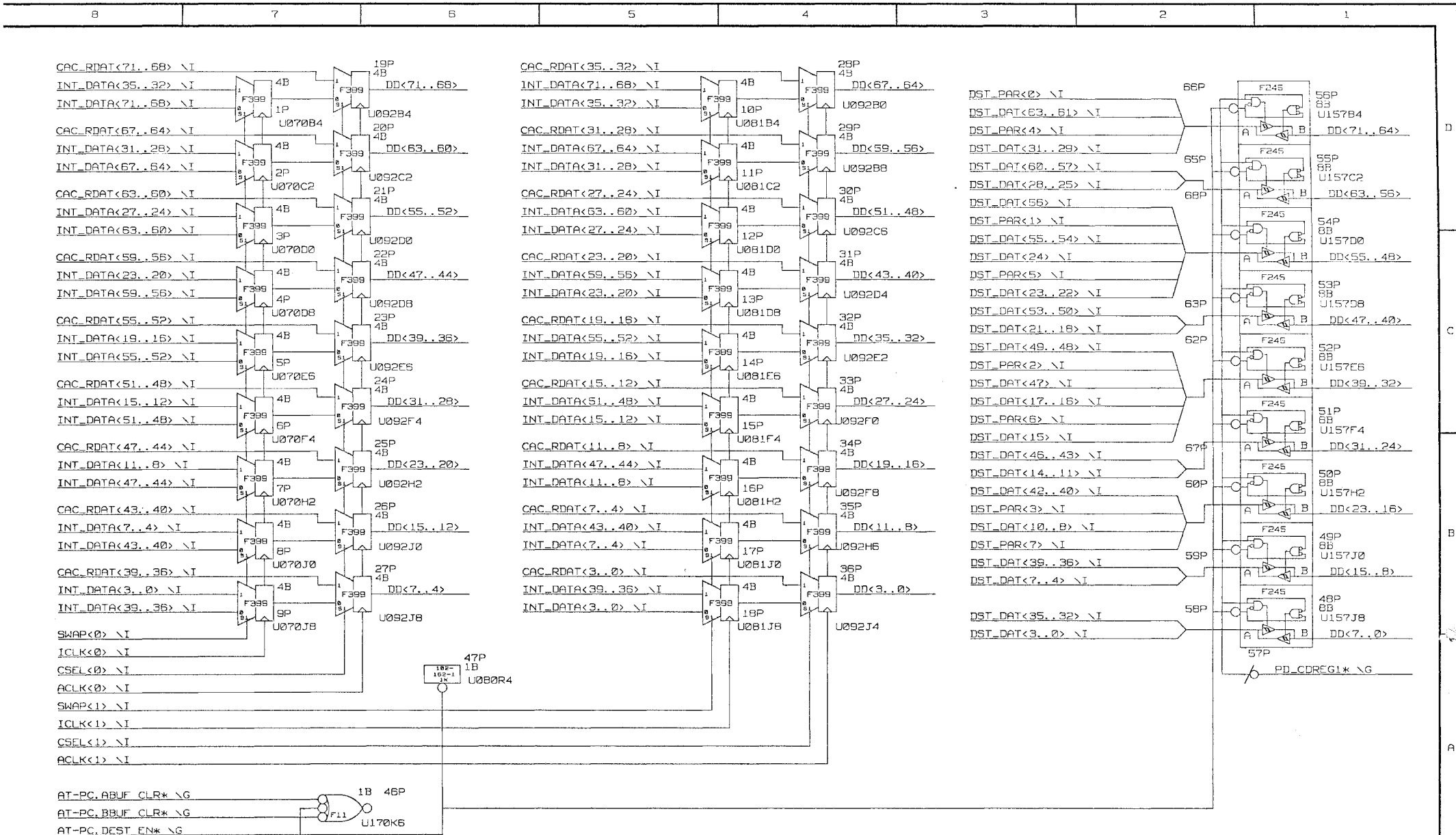
THIS DOCUMENT CONTAINS INFORMATION PROPRIETARY TO CONVEX COMPUTER CORPORATION (CONVEX). USE OR DISCLOSURE WITHOUT THE WRITTEN PERMISSION OF AN OFFICER OF CONVEX IS EXPRESSLY FORBIDDEN. COPYRIGHT (C) CONVEX 1985

DEFINE
%FIRST%
%STEP%
%



CONVEX

TITLE: SOURCE BUS DATA INTERFACE	ABBR: SRCDAT
DRAWING: 410-000124-300 Rev D.02	ENGR: WEATHERFORD
REVISED: Mon Feb 11 14:35:22 1985	PAGE: PCU.2 SRCDAT.1 of 1



THIS DOCUMENT CONTAINS INFORMATION PROPRIETARY TO CONVEX COMPUTER CORPORATION (CONVEX). USE OR DISCLOSURE WITHOUT THE WRITTEN PERMISSION OF AN OFFICER OF CONVEX IS EXPRESSLY FORBIDDEN. COPYRIGHT (C) CONVEX 1985

DEFINE
X=1000
Y=1000
Z=1000



CONVEX

TITLE: DEST BUS DATA INTERFACE

DRAWING: 410-000124-300 Rev D.02

REVISED: Mon Feb 11 15:34:28 1985

PAGE: PCU.2 DSTDAT.1 of 1

ABBR: USTDAT

ENGR: WEATHERFORD

8

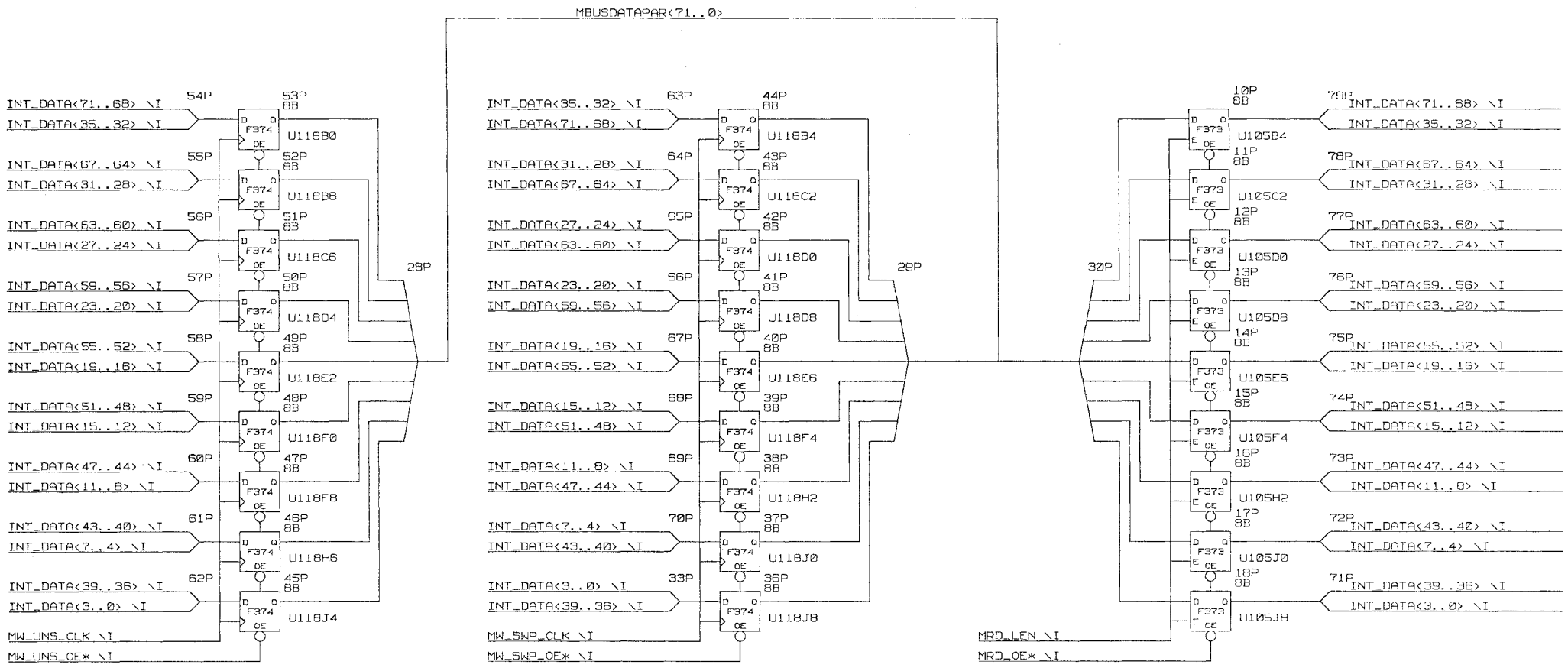
7

6

3

2

1

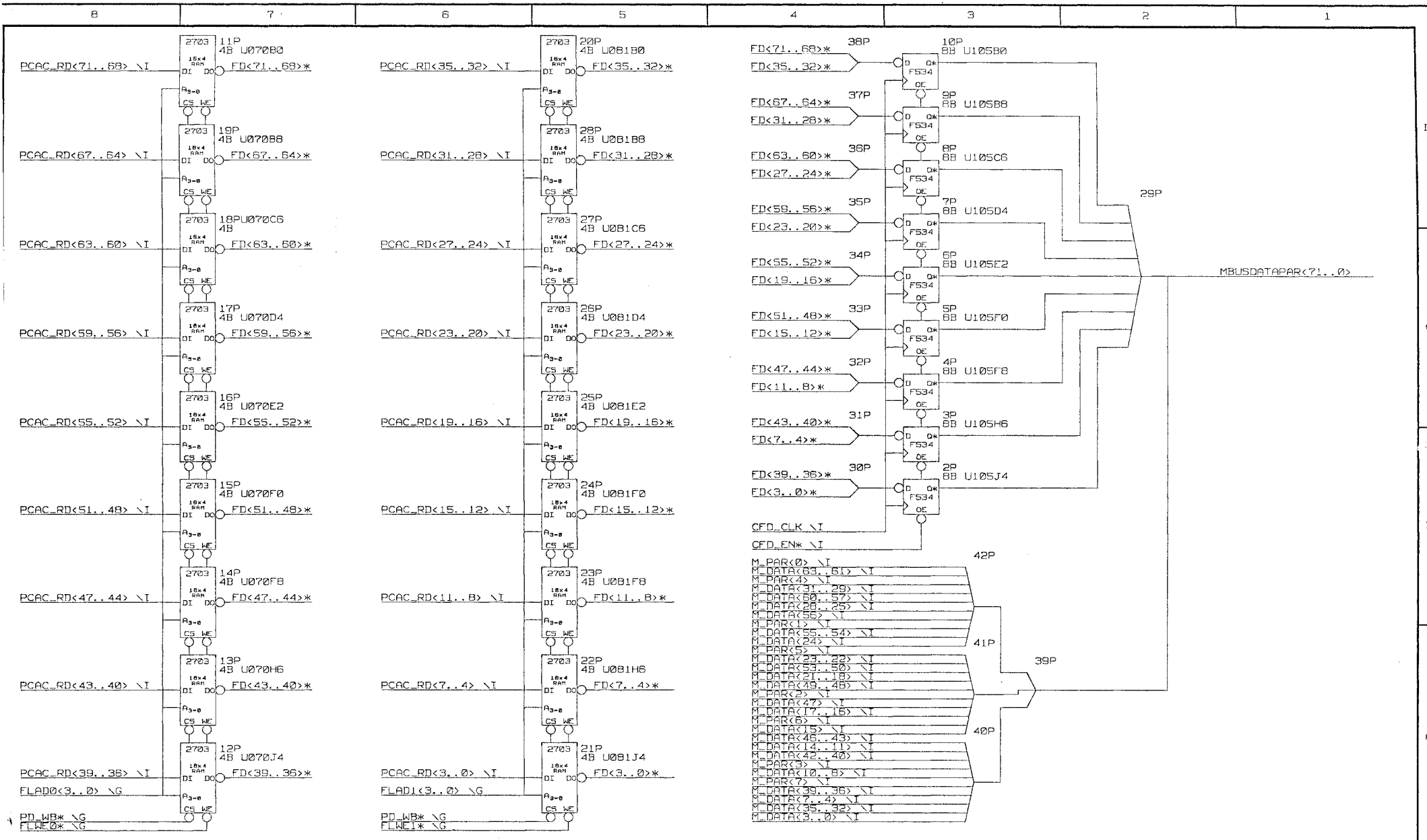


THIS DOCUMENT CONTAINS INFORMATION PROPRIETARY TO CONVEX COMPUTER CORPORATION (CONVEX). USE OR DISCLOSURE WITHOUT THE WRITTEN PERMISSION OF AN OFFICER OF CONVEX IS EXPRESSLY FORBIDDEN. COPYRIGHT (C) CONVEX 1985

DEFENSE
X-11857
X-INTERP-011



TITLE: MBUS DATA INTERFACE	ABBR: MBUSDAT
DRAWING: 410-000124-300 Rev D.02	ENGR: WEATHERFORD
REVISED: Mon Feb 11 15:21:02 1985	PAGE: PCU.2 MBUSDAT.1 of 2



THIS DOCUMENT CONTAINS INFORMATION PROPRIETARY TO CONVEX COMPUTER CORPORATION (CONVEX). USE OR DISCLOSURE WITHOUT THE WRITTEN PERMISSION OF AN OFFICER OF CONVEX IS EXPRESSLY FORBIDDEN. COPYRIGHT (C) CONVEX 1985

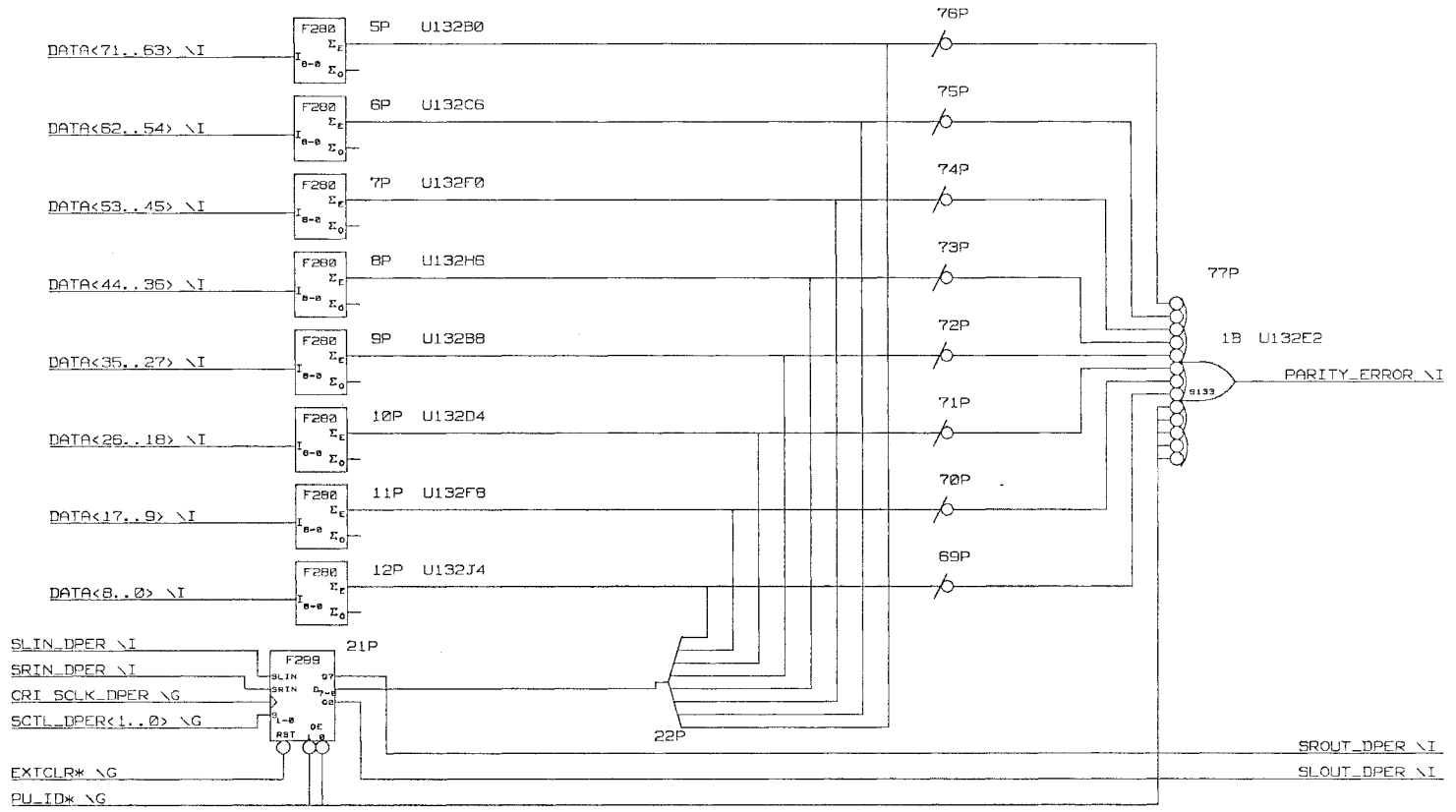


CONVEX

TITLE: MBUS DATA INTERFACE
 DRAWING: 410-000124-300 Rev D.02
 REVISED: Mon Feb 11 15:25:14 1985

ABBR: MBUSDAT
 ENGR: WEATHERFORD

PAGE: PCU.2 MBUSDAT.2

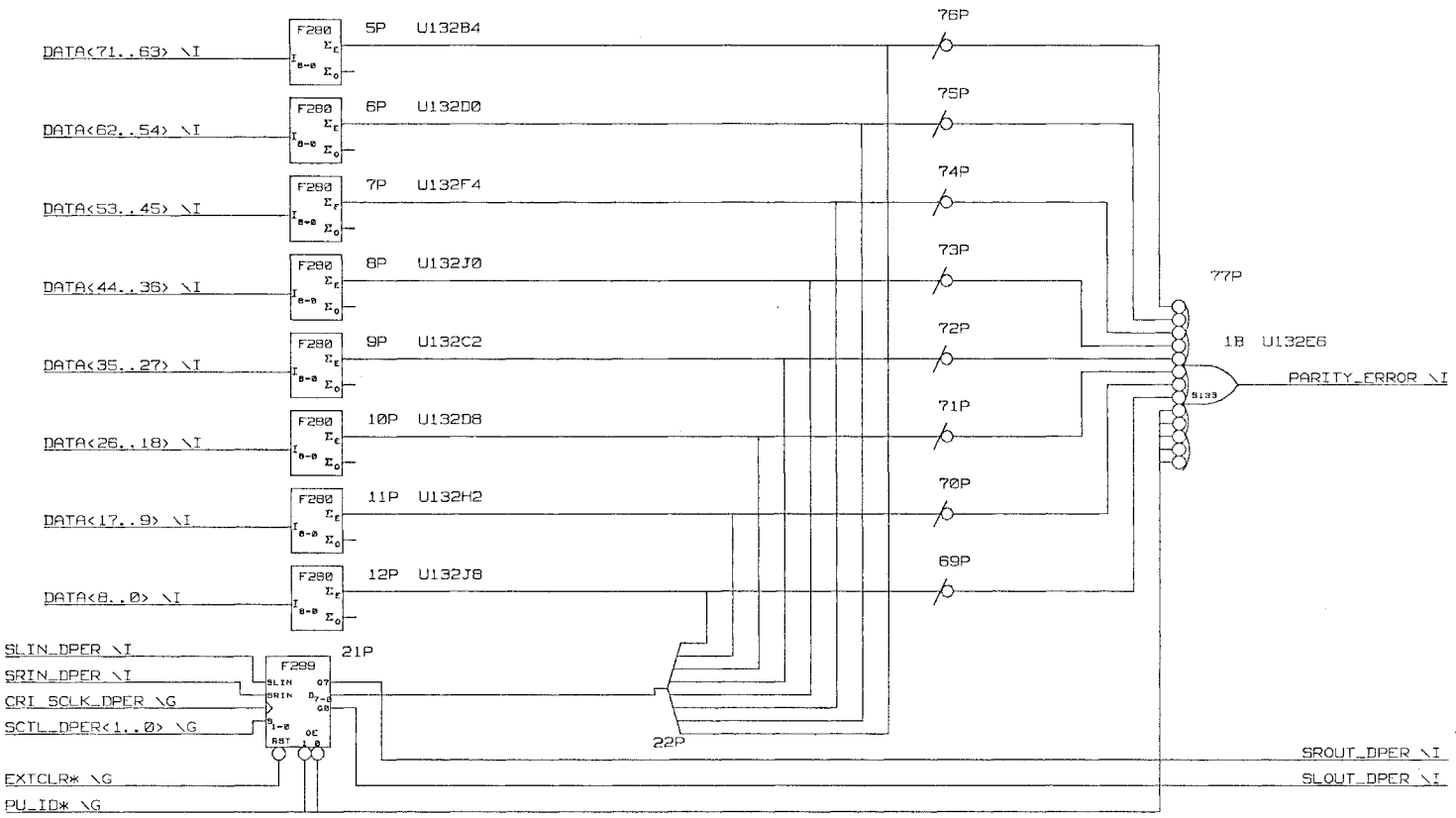


THIS DOCUMENT CONTAINS INFORMATION PROPRIETARY TO CONVEX COMPUTER CORPORATION (CONVEX). USE OR DISCLOSURE WITHOUT THE WRITTEN PERMISSION OF AN OFFICER OF CONVEX IS EXPRESSLY FORBIDDEN. COPYRIGHT (C) CONVEX 1985

DEFINE
XREFS
XREFS



TITLE: DATA PARITY CHECKER 1
 DRAWING: 410-000124-300 Rev D.02
 REVISID: Mon Feb 11 14:49:38 1985
 ABBR: PCHK1
 ENGR: WEATHERFORD
 PAGE: PCU.2 PCHK1.1 of 1



THIS DOCUMENT CONTAINS INFORMATION PROPRIETARY TO CONVEX COMPUTER CORPORATION (CONVEX). USE OR DISCLOSURE WITHOUT THE WRITTEN PERMISSION OF AN OFFICER OF CONVEX IS EXPRESSLY FORBIDDEN. COPYRIGHT (C) CONVEX 1985

DEFINE
XREF
XREF-5176

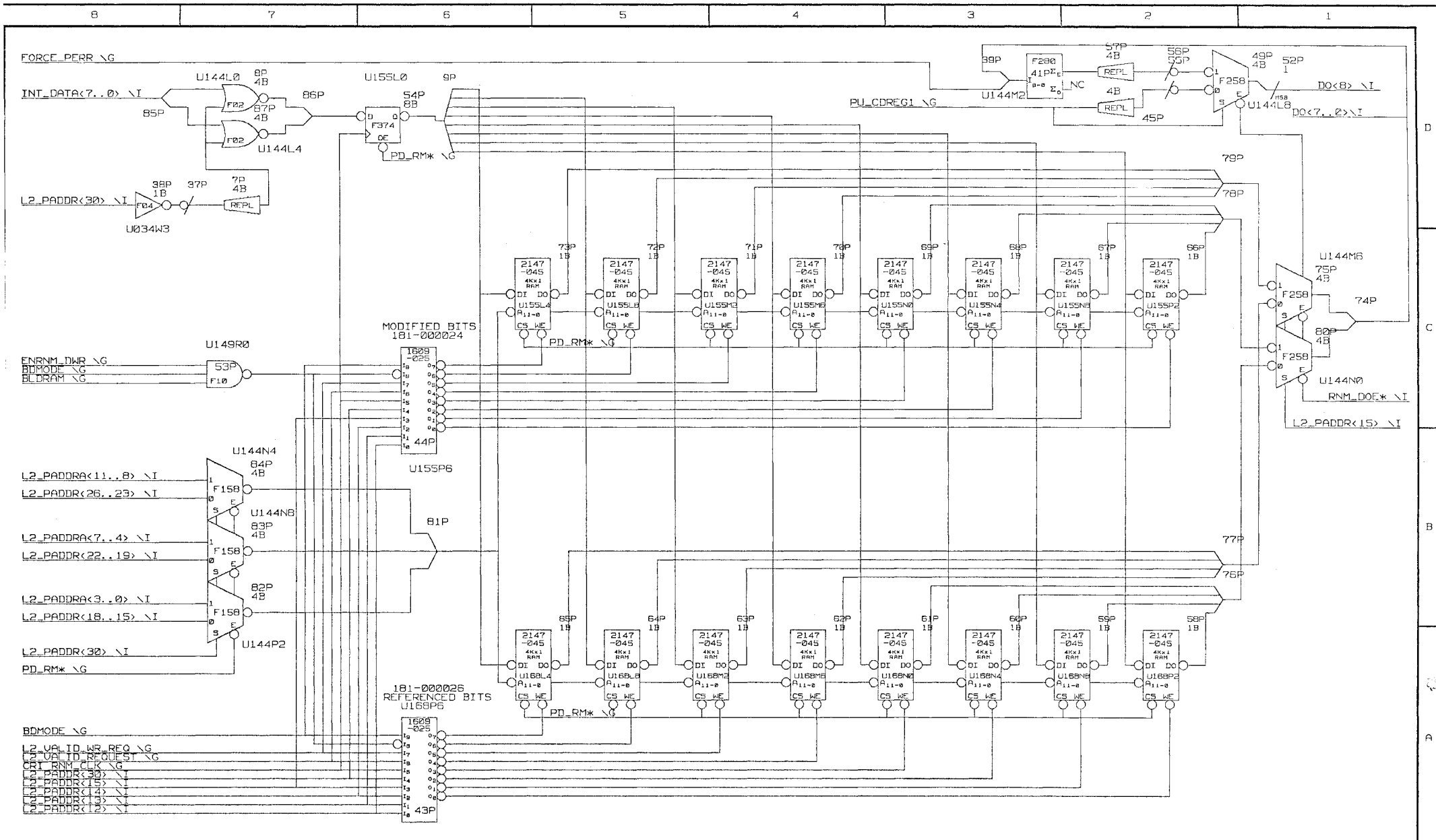


CONVEX

TITLE: DATA PARITY CHECKER 2
DRAWING: 410-000124-300 Rev D.02

ABBR: PCHK2
ENGR: WEATHERFORD

REVISED: Mon Feb 11 14:50:58 1985 PAGE: PCU.2 PCHK2.1 of 1



THIS DOCUMENT CONTAINS INFORMATION PROPRIETARY TO CONVEX COMPUTER CORPORATION (CONVEX). USE OR DISCLOSURE WITHOUT THE WRITTEN PERMISSION OF AN OFFICER OF CONVEX IS EXPRESSLY FORBIDDEN. COPYRIGHT (C) CONVEX 1985

DEFIN: K-1037 K-BYTESIZE

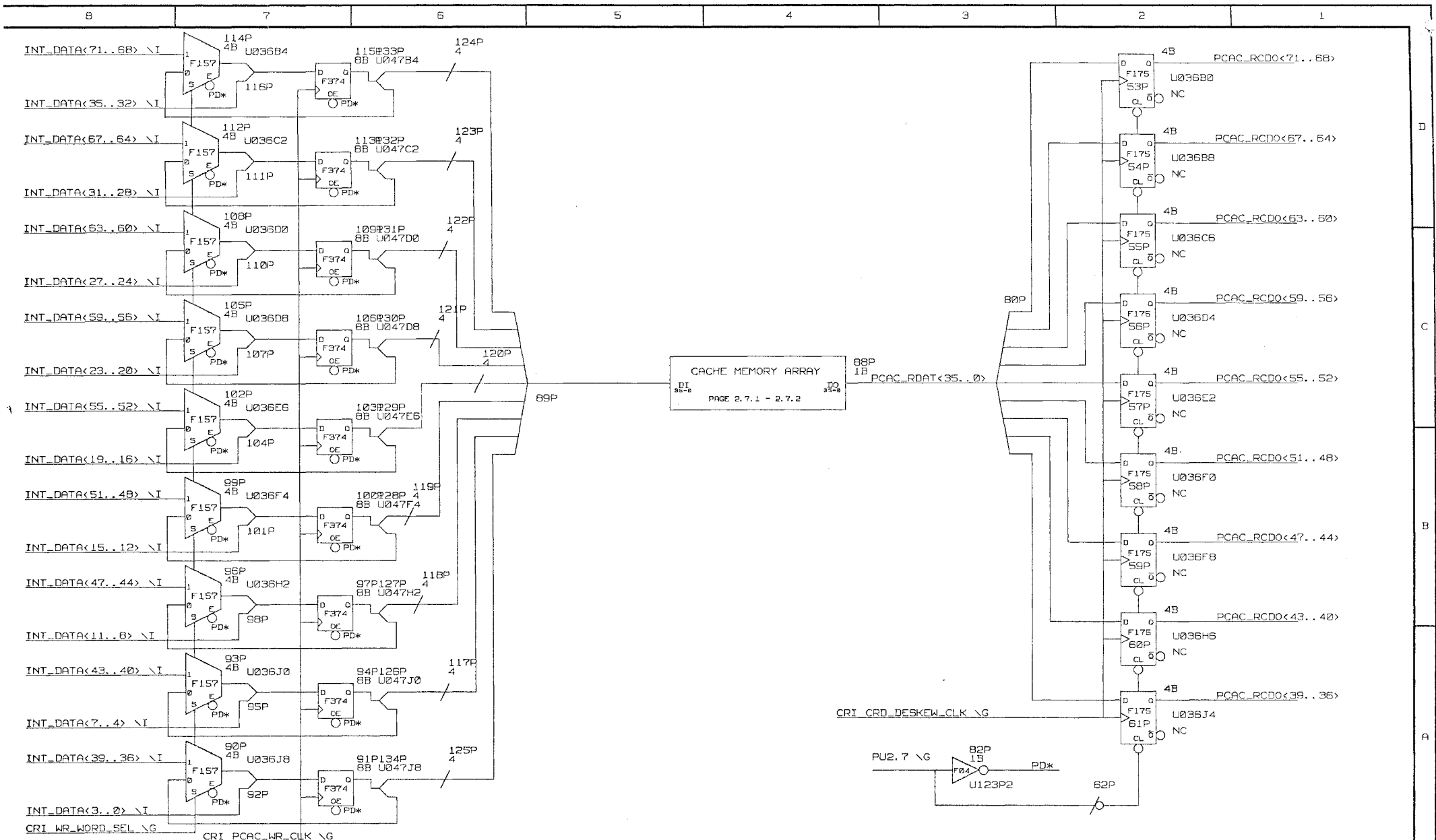


CONVEX

TITLE: REF AND MODIFIED
DRAWING: 410-000124-300 Rev D.02
REVISED: Mon Feb 11 14:39:25 1985

ABBR: RM_BITS
ENGR: WEATHERFORD

PAGE: PCU.2 RM_BITS.1



THIS DOCUMENT CONTAINS INFORMATION PROPRIETARY TO CONVEX COMPUTER CORPORATION (CONVEX). USE OR DISCLOSURE WITHOUT THE WRITTEN PERMISSION OF AN OFFICER OF CONVEX IS EXPRESSLY FORBIDDEN. COPYRIGHT (C) CONVEX 1985

DEFINE
X:1985
K:STEP0116



TITLE: PHYSICAL CACHE
DRAWING: 410-000124-300 Rev D.02
REVISED: Mon Feb 11 14:43:31 1985

ABBR: PCAC
ENGR: WEATHERFORD

PAGE: PCU.2 FCAC.1

8

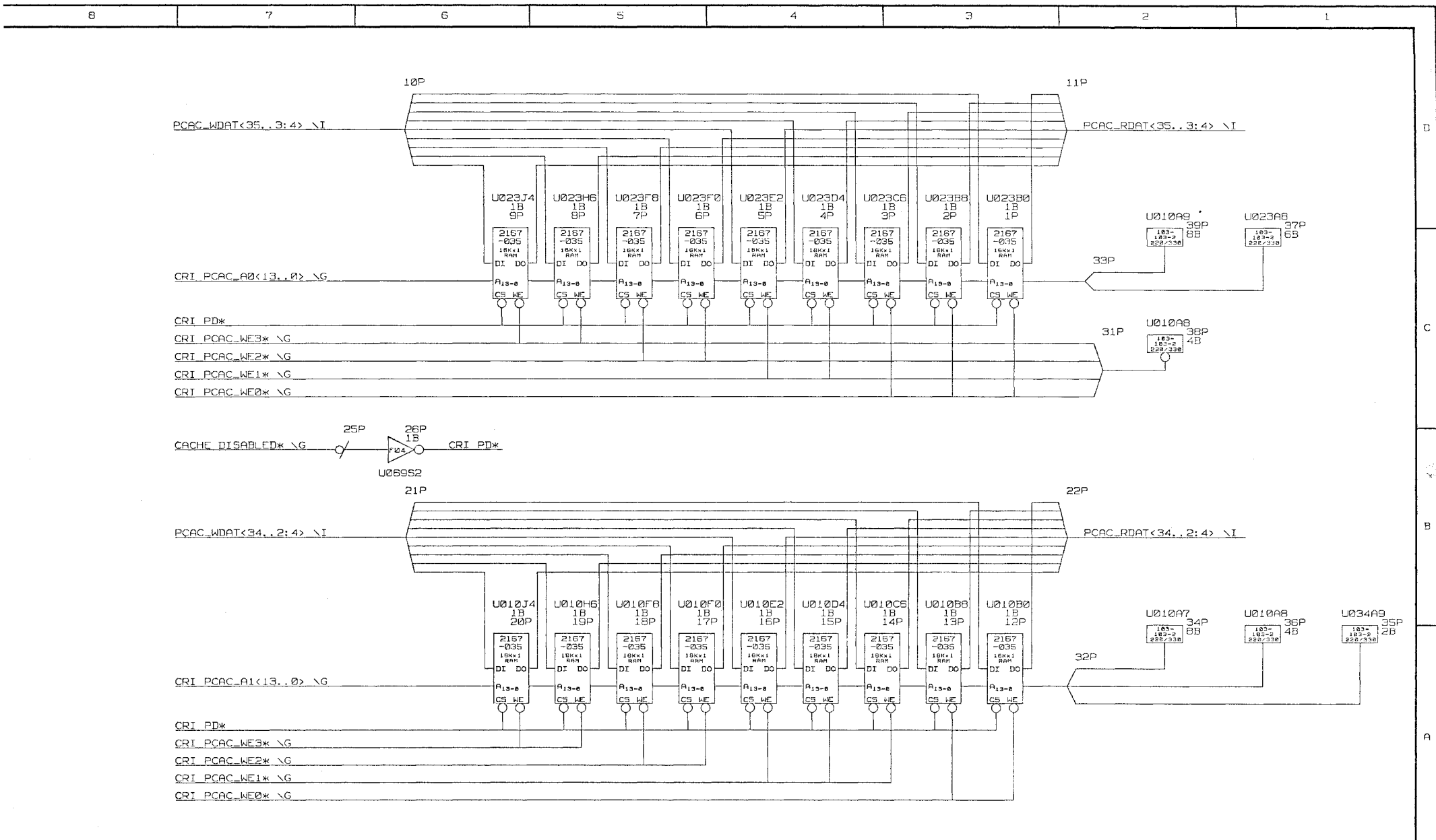
7

6

3

2

1



THIS DOCUMENT CONTAINS INFORMATION PROPRIETARY TO CONVEX COMPUTER CORPORATION (CONVEX). USE OR DISCLOSURE WITHOUT THE WRITTEN PERMISSION OF AN OFFICER OF CONVEX IS EXPRESSLY FORBIDDEN. COPYRIGHT (C) CONVEX 1985

DEF INE
X.P. (REV) 10
X.5 (REV) 12

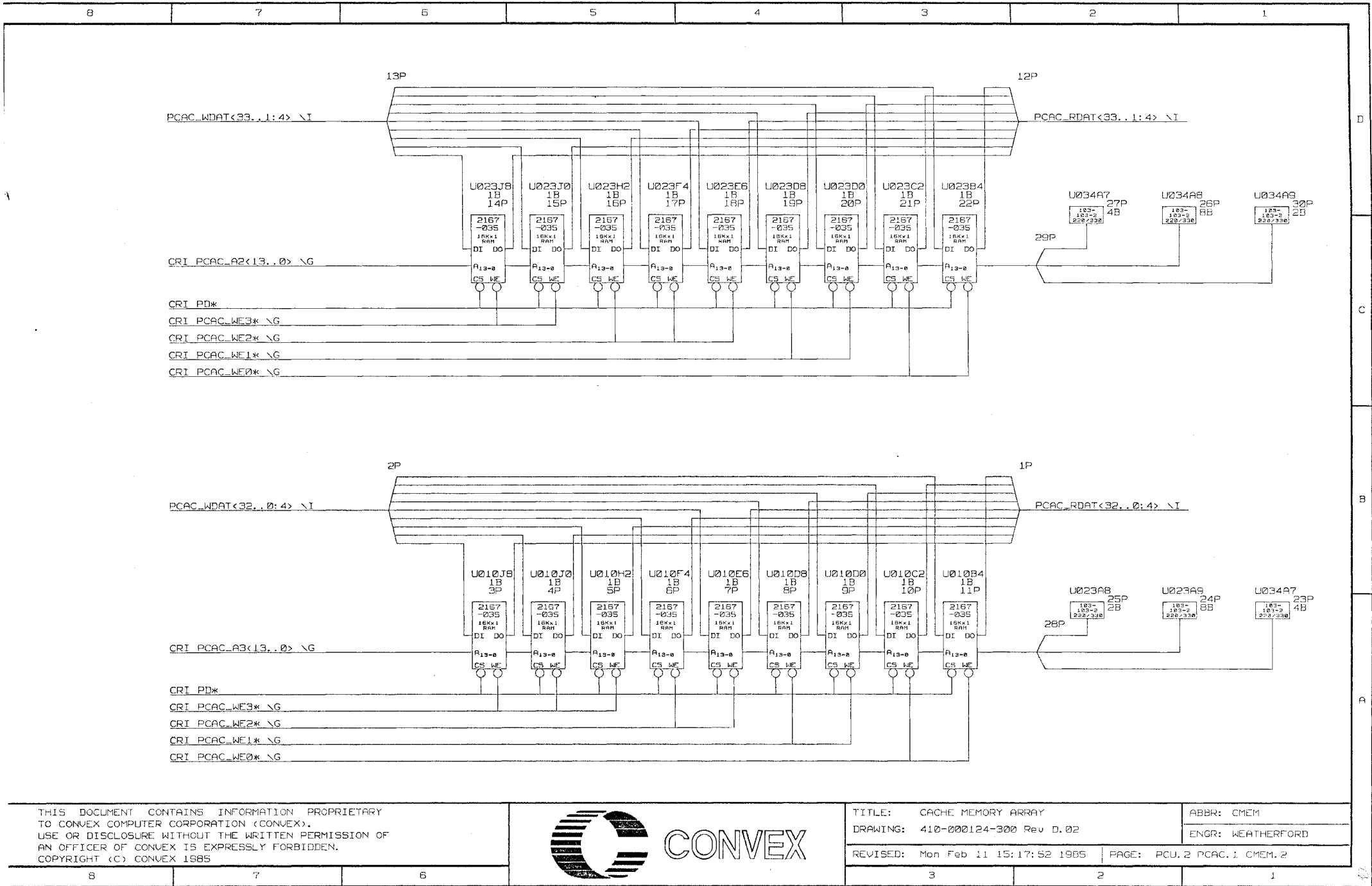


CONVEX

TITLE: CACHE MEMORY ARRAY
DRAWING: 410-000124-300 Rev D.02

ABBR: CMEM
ENGR: WEATHERFORD

REVISED: Mon Feb 11 15:16:27 1985 PAGE: PCU.2 PCAC.1 CMEM.1



THIS DOCUMENT CONTAINS INFORMATION PROPRIETARY TO CONVEX COMPUTER CORPORATION (CONVEX). USE OR DISCLOSURE WITHOUT THE WRITTEN PERMISSION OF AN OFFICER OF CONVEX IS EXPRESSLY FORBIDDEN. COPYRIGHT (C) CONVEX 1985



TITLE: CACHE MEMORY ARRAY
DRAWING: 410-000124-300 Rev D.02

ABBR: CMEM
ENGR: WEATHERFORD

REVISED: Mon Feb 11 15:17:52 1985 PAGE: PCU.2 PCAC.1 CMEM.2

8

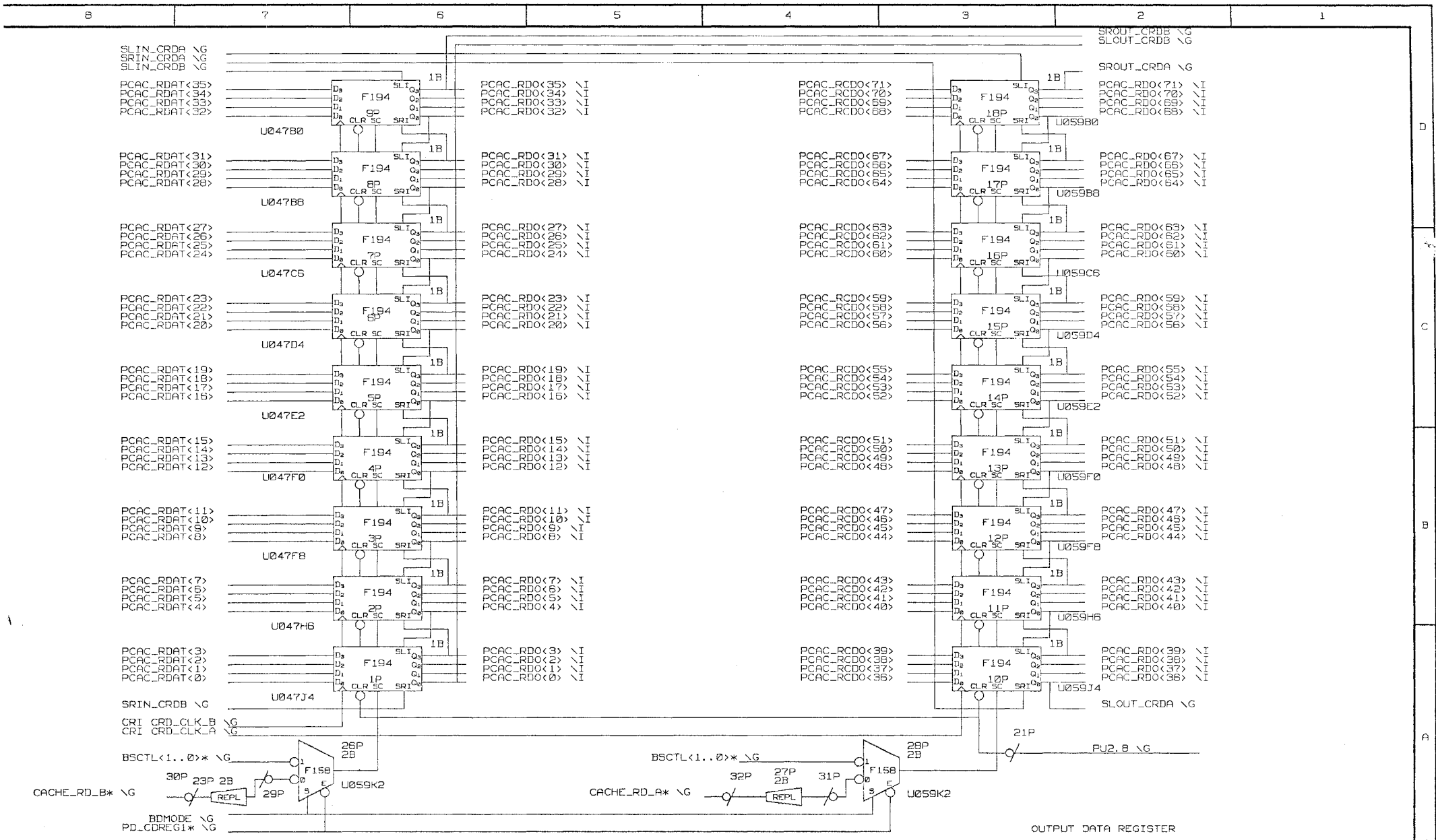
7

6

3

2

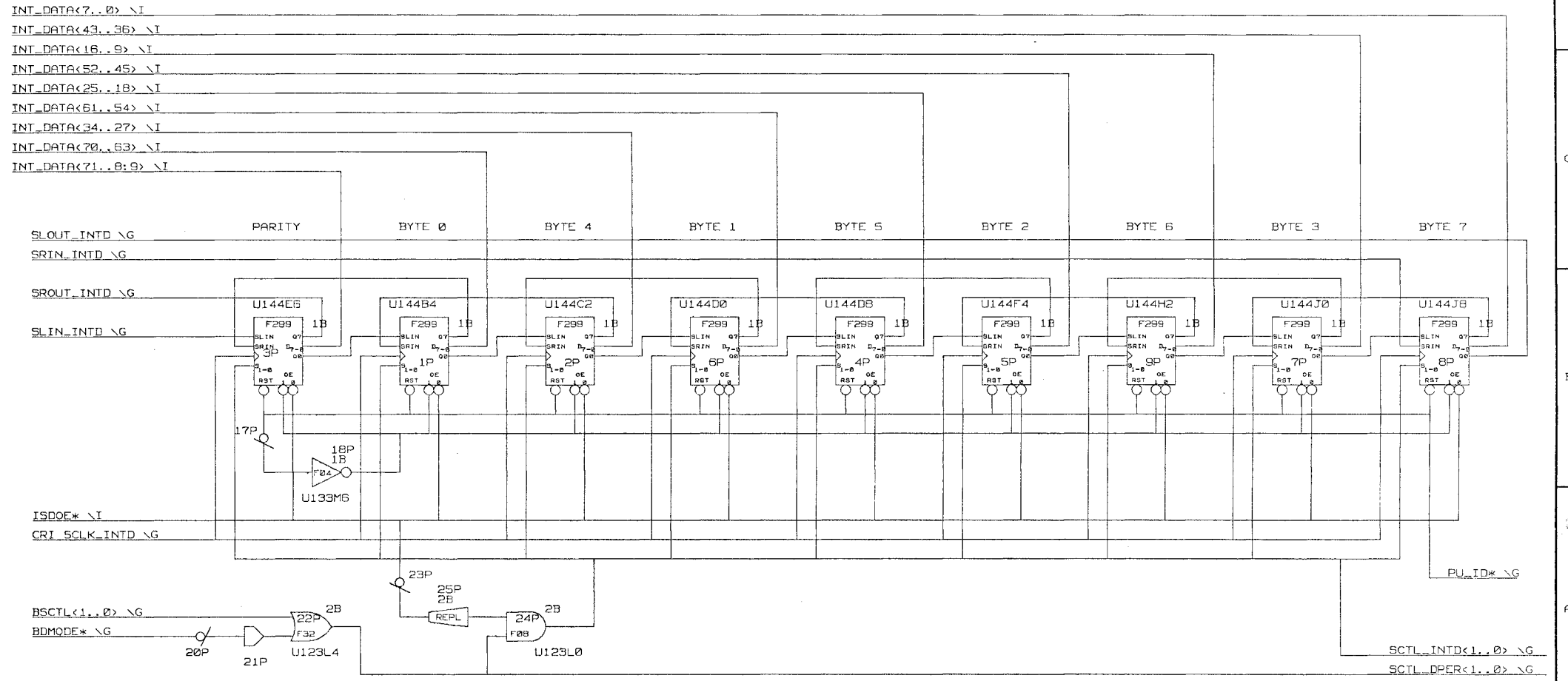
1



THIS DOCUMENT CONTAINS INFORMATION PROPRIETARY TO CONVEX COMPUTER CORPORATION (CONVEX). USE OR DISCLOSURE WITHOUT THE WRITTEN PERMISSION OF AN OFFICER OF CONVEX IS EXPRESSLY FORBIDDEN. COPYRIGHT (C) CONVEX 1985



TITLE: PHYSICAL CACHE	ABBR: PCAC
DRAWING: 410-000124-300 Rev D.02	ENGR: WEATHERFORD
REVISED: Mon Feb 11 14:44:24 1985	PAGE: PCU.2 PCAC.2



THIS DOCUMENT CONTAINS INFORMATION PROPRIETARY TO CONVEX COMPUTER CORPORATION (CONVEX). USE OR DISCLOSURE WITHOUT THE WRITTEN PERMISSION OF AN OFFICER OF CONVEX IS EXPRESSLY FORBIDDEN. COPYRIGHT (C) CONVEX 1985

DEFINITIONS
X-STEP-512



TITLE: INT DATA SAVE REGISTER

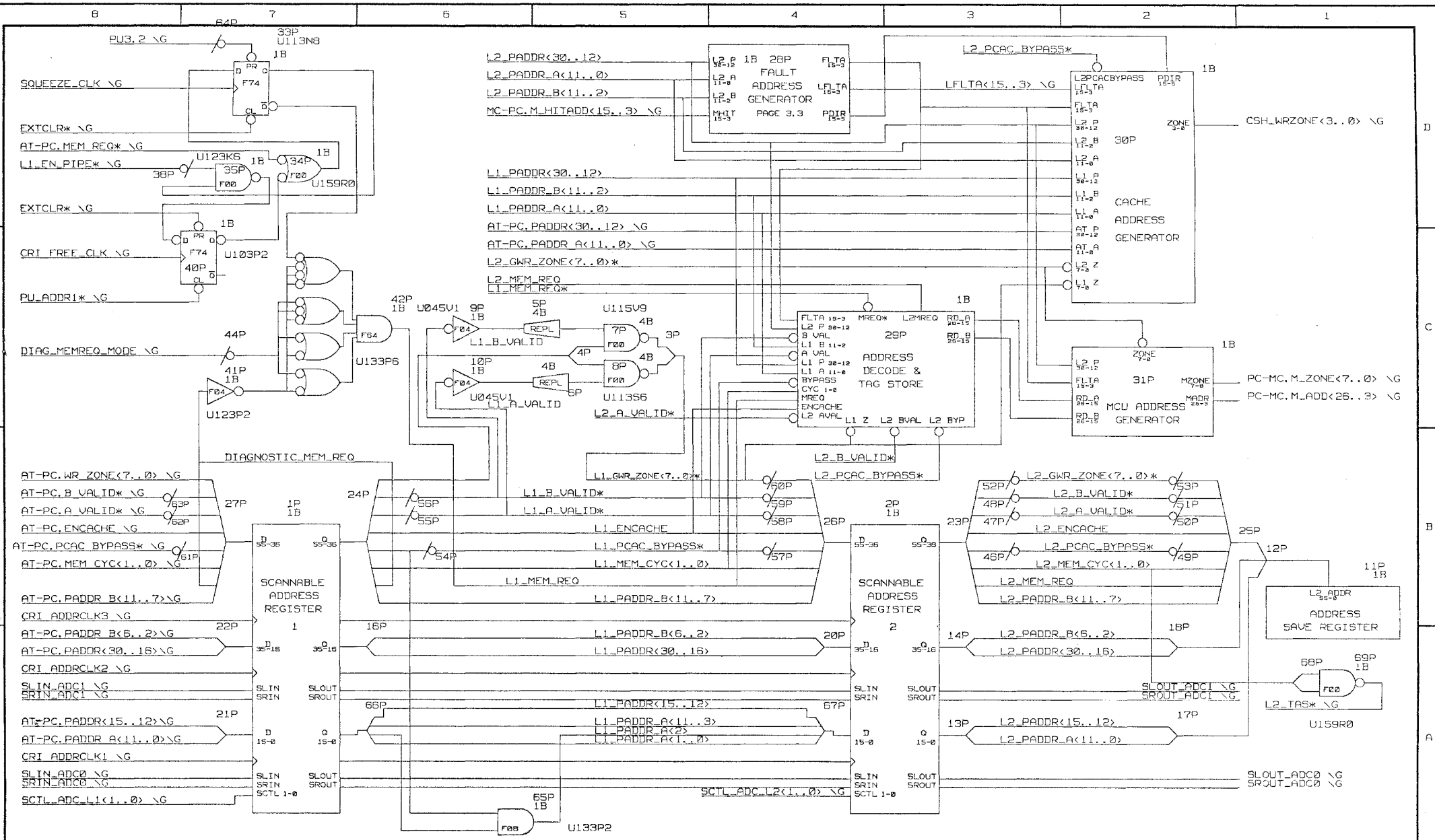
DRAWING: 410-000124-300 Rev D.02

REVISED: Mon Feb 11 15:49:16 1985

PAGE: PCU.2 DATSAVE.1

ABBR: DATSAVE

ENGR: WEATHERFORD



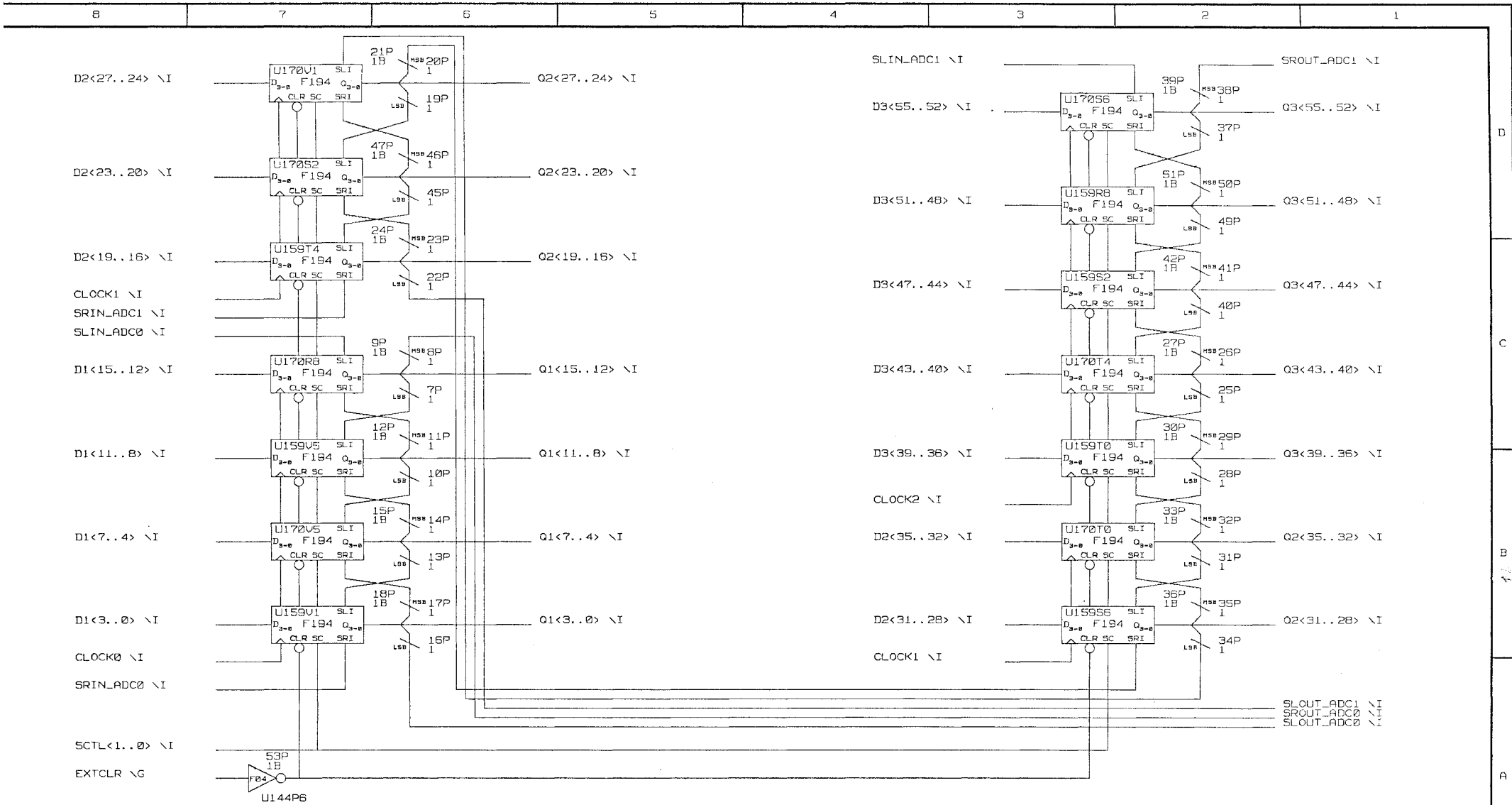
THIS DOCUMENT CONTAINS INFORMATION PROPRIETARY TO CONVEX COMPUTER CORPORATION (CONVEX). USE OR DISCLOSURE WITHOUT THE WRITTEN PERMISSION OF AN OFFICER OF CONVEX IS EXPRESSLY FORBIDDEN. COPYRIGHT (C) CONVEX 1985



TITLE: PCU ADDRESS PATHS
 DRAWING: 410-000124-300 Rev D.02
 REVISED: Mon Feb 11 14:54:19 1985

ABBR: PCU
 ENGR: WEATHERFORD

PAGE: PCU.3



THIS DOCUMENT CONTAINS INFORMATION PROPRIETARY TO CONVEX COMPUTER CORPORATION (CONVEX). USE OR DISCLOSURE WITHOUT THE WRITTEN PERMISSION OF AN OFFICER OF CONVEX IS EXPRESSLY FORBIDDEN. COPYRIGHT (C) CONVEX 1985

DEFINITION
X-STEP-010



CONVEX

TITLE: SCANNABLE ADDR REG 1
DRAWING: 410-000124-300 Rev D.02
REVISED: Mon Feb 11 14:47:33 1985

ABBR: SCNAREG1
ENGR: WEATHERFORD

PAGE: PCU.3 SCNAREG1.1 of 1

8

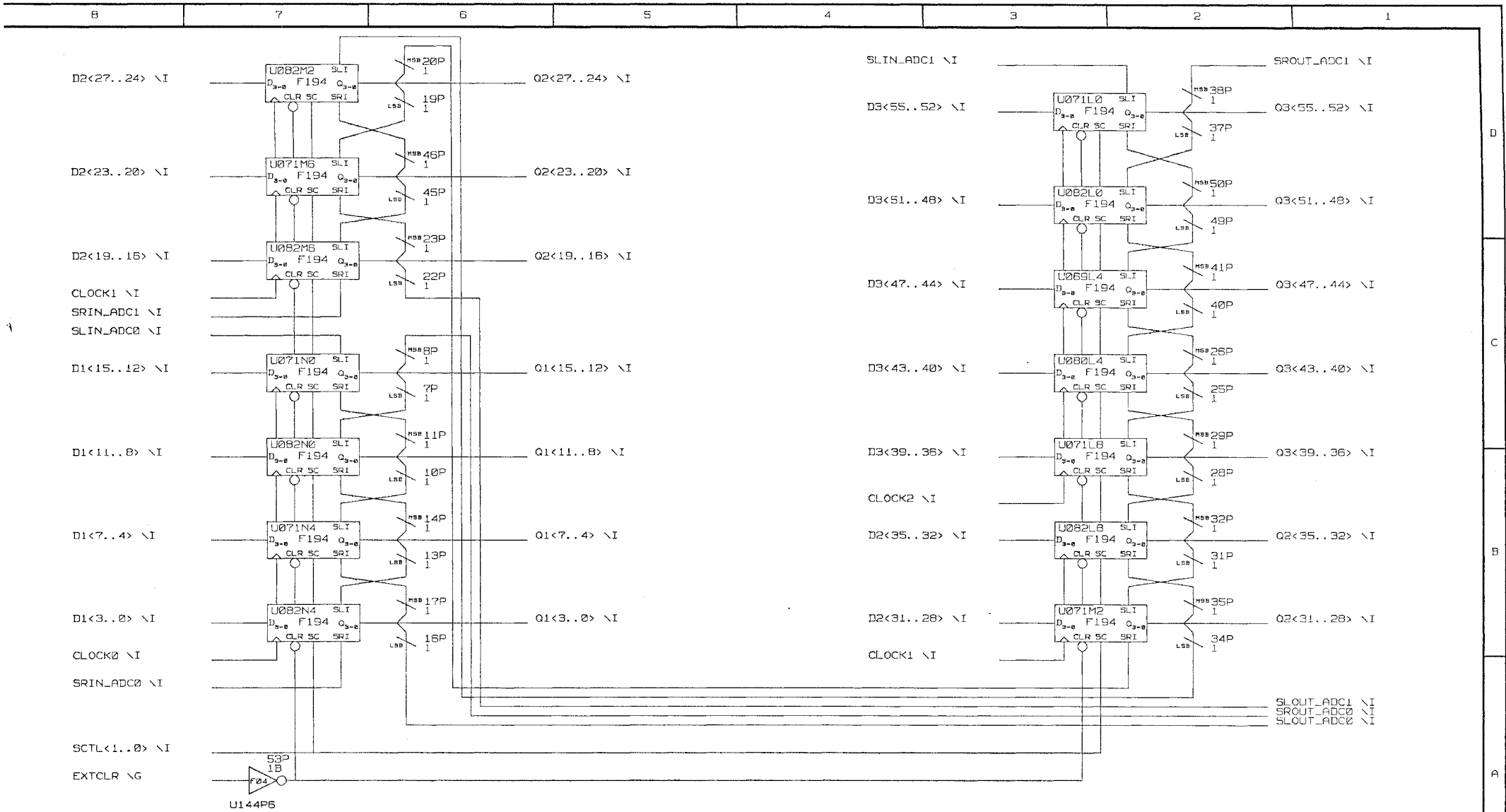
7

6

3

2

1



THIS DOCUMENT CONTAINS INFORMATION PROPRIETARY TO CONVEX COMPUTER CORPORATION (CONVEX). USE OR DISCLOSURE WITHOUT THE WRITTEN PERMISSION OF AN OFFICER OF CONVEX IS EXPRESSLY FORBIDDEN. COPYRIGHT (C) CONVEX 1985

DEFINITIONS
X-FIRST
N-STEP

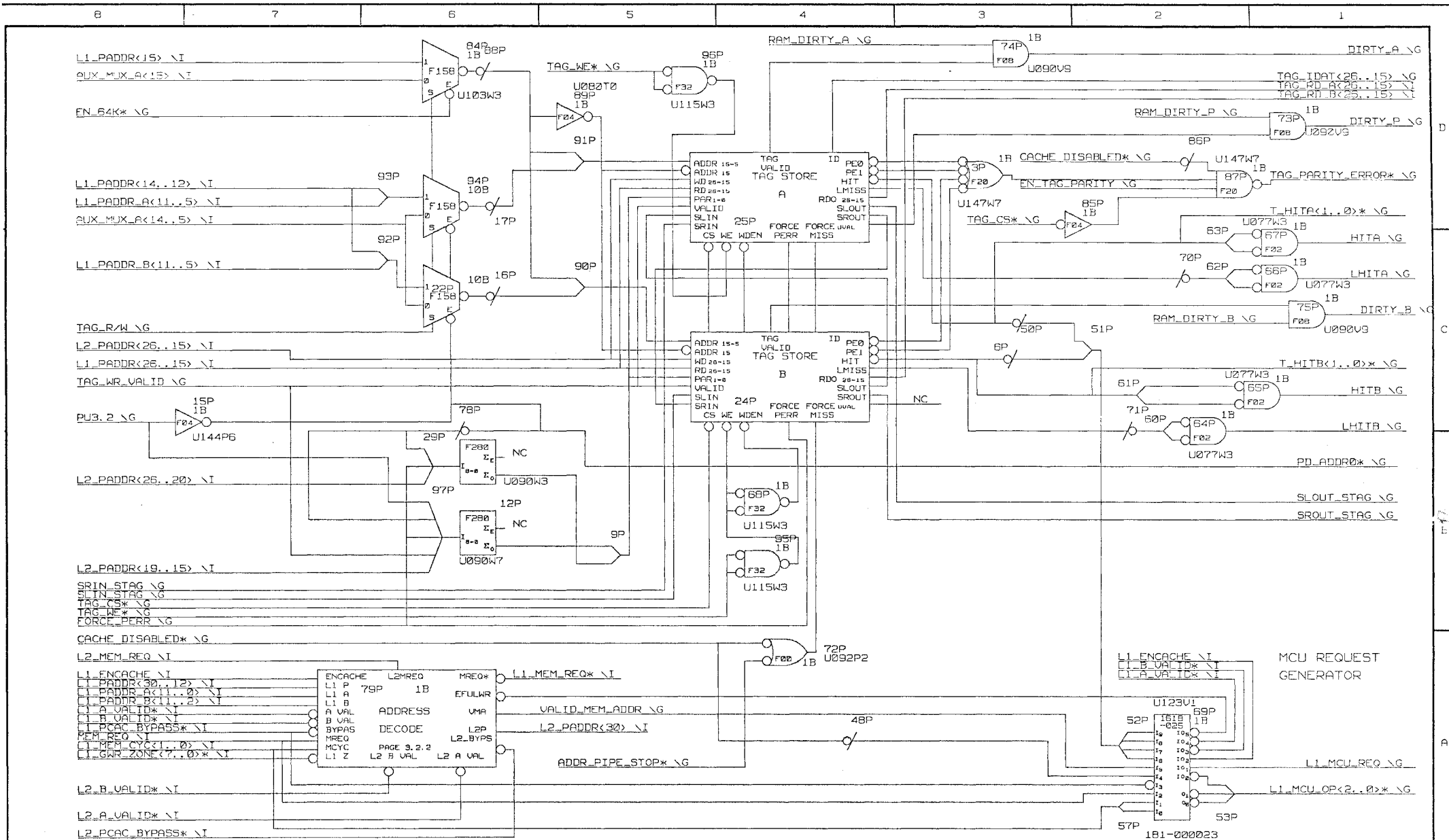


CONVEX

TITLE: SCANNABLE ADDR REG 2
DRAWING: 410-000124-300 Rev D.02

ADDR: SCNAREG2
ENGR: WEATHERFORD

REVISED: Mon Feb 11 14:49:11 1985 PAGE: PCU.3 SCNAREG2.1 of 1



THIS DOCUMENT CONTAINS INFORMATION PROPRIETARY TO CONVEX COMPUTER CORPORATION (CONVEX). USE OR DISCLOSURE WITHOUT THE WRITTEN PERMISSION OF AN OFFICER OF CONVEX IS EXPRESSLY FORBIDDEN. COPYRIGHT (C) CONVEX 1985

DEFINE
X77814
X2118451C

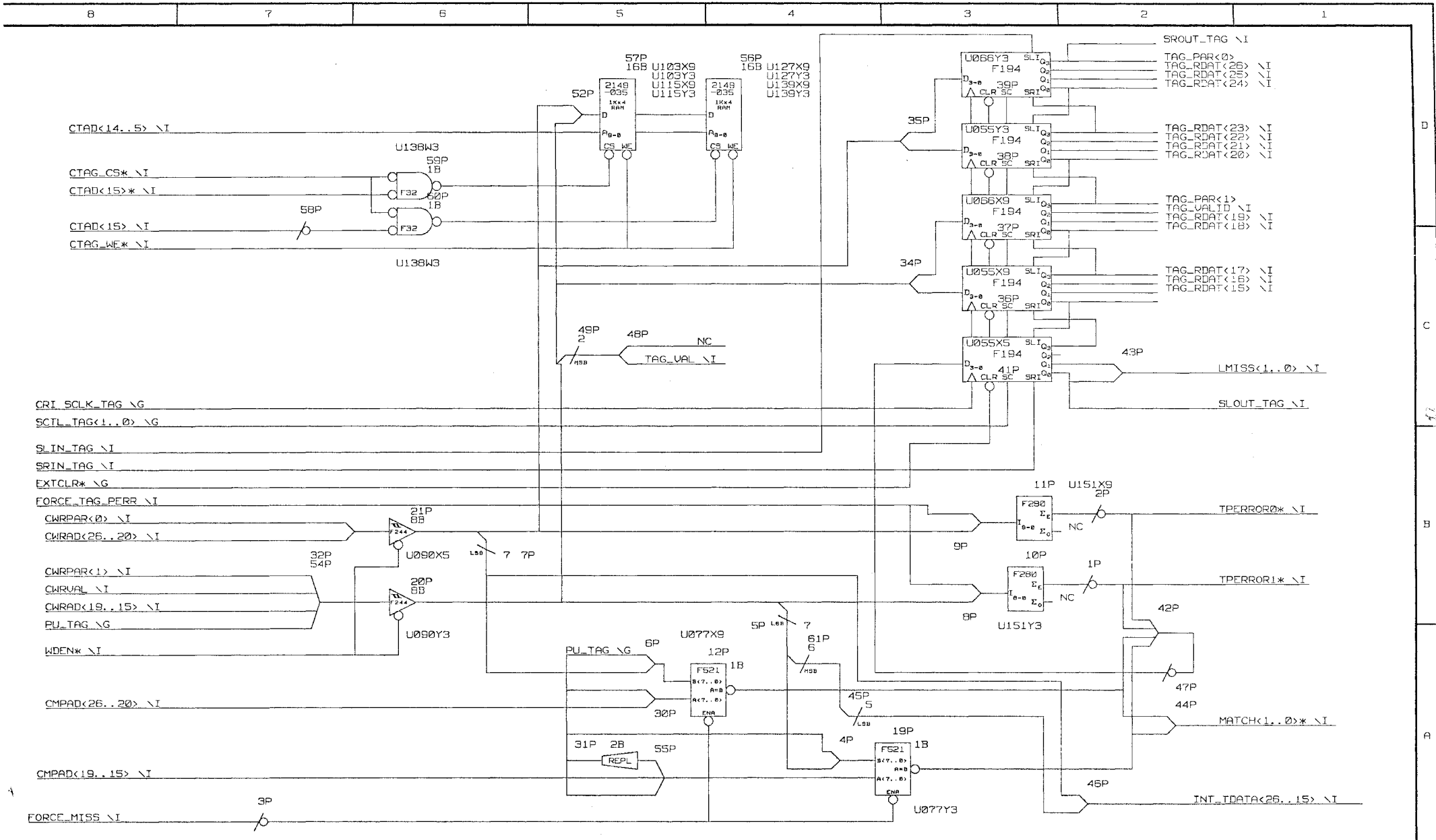


CONVEX

TITLE: ADDR DECODE AND TAG
DRAWING: 410-000124-300 Rev D.02
REVISED: Mon Feb 11 14:42:42 1985

ABBR: ADEC_TAG
ENGR: WEATHERFORD

PAGE: PCU.3 ADEC_TAG.1



THIS DOCUMENT CONTAINS INFORMATION PROPRIETARY TO CONVEX COMPUTER CORPORATION (CONVEX). USE OR DISCLOSURE WITHOUT THE WRITTEN PERMISSION OF AN OFFICER OF CONVEX IS EXPRESSLY FORBIDDEN. COPYRIGHT (C) CONVEX 1985

DEFINE
X:FIRST
X:STEP:111

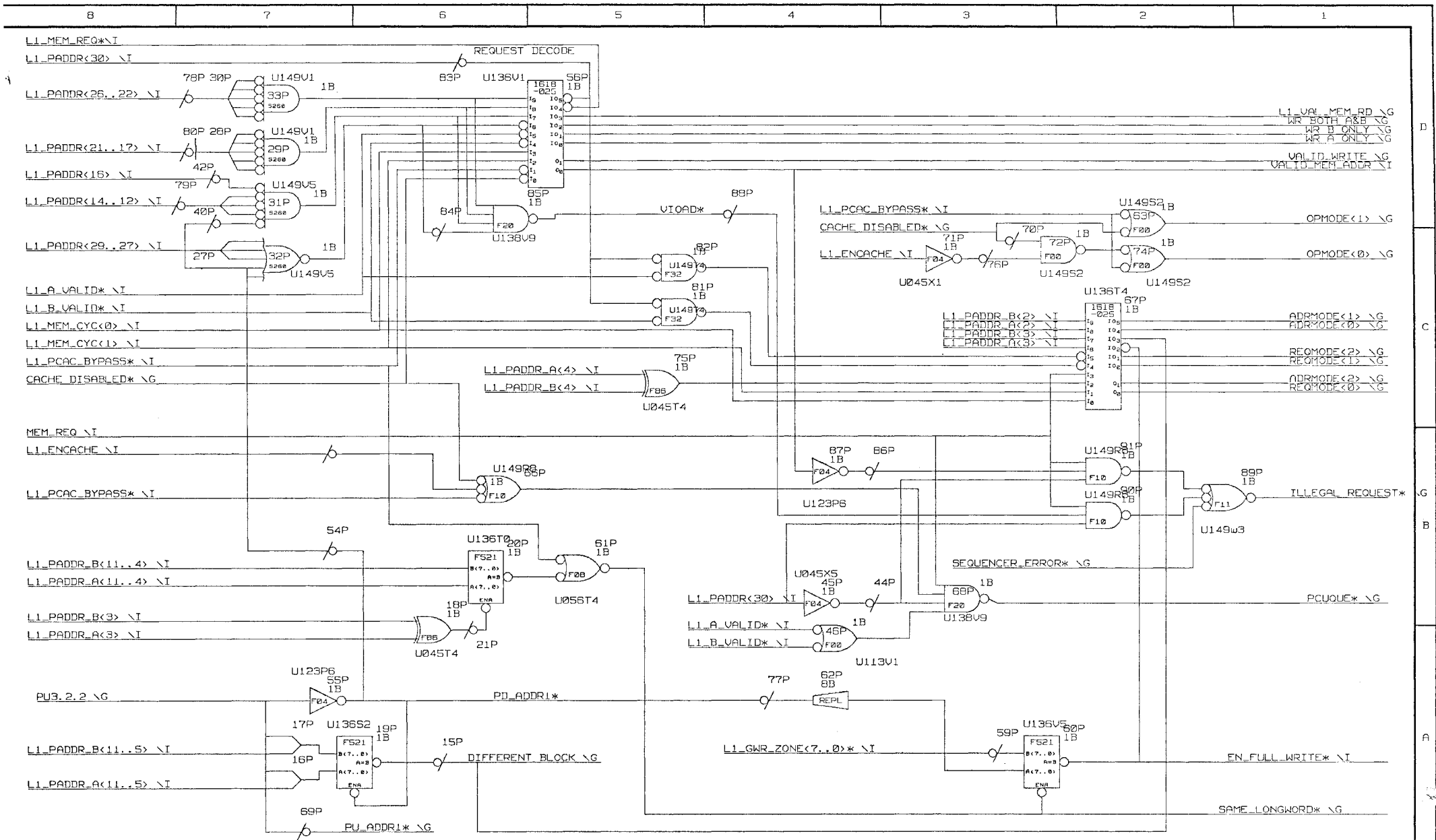


CONVEX

TITLE: TAG STORE B
DRAWING: 410-000124-300 Rev D.02

ABBR: TAGB
ENGR: WEATHERFORD

REVISED: Mon Feb 11 15:14:46 1985 PAGE: PCU.3 ADEC.TAG.1 TAGB.1 of 1



THIS DOCUMENT CONTAINS INFORMATION PROPRIETARY TO CONVEX COMPUTER CORPORATION (CONVEX). USE OR DISCLOSURE WITHOUT THE WRITTEN PERMISSION OF AN OFFICER OF CONVEX IS EXPRESSLY FORBIDDEN. COPYRIGHT (C) CONVEX 1985

DEFINE
X.FINISH
X.STATE=5511

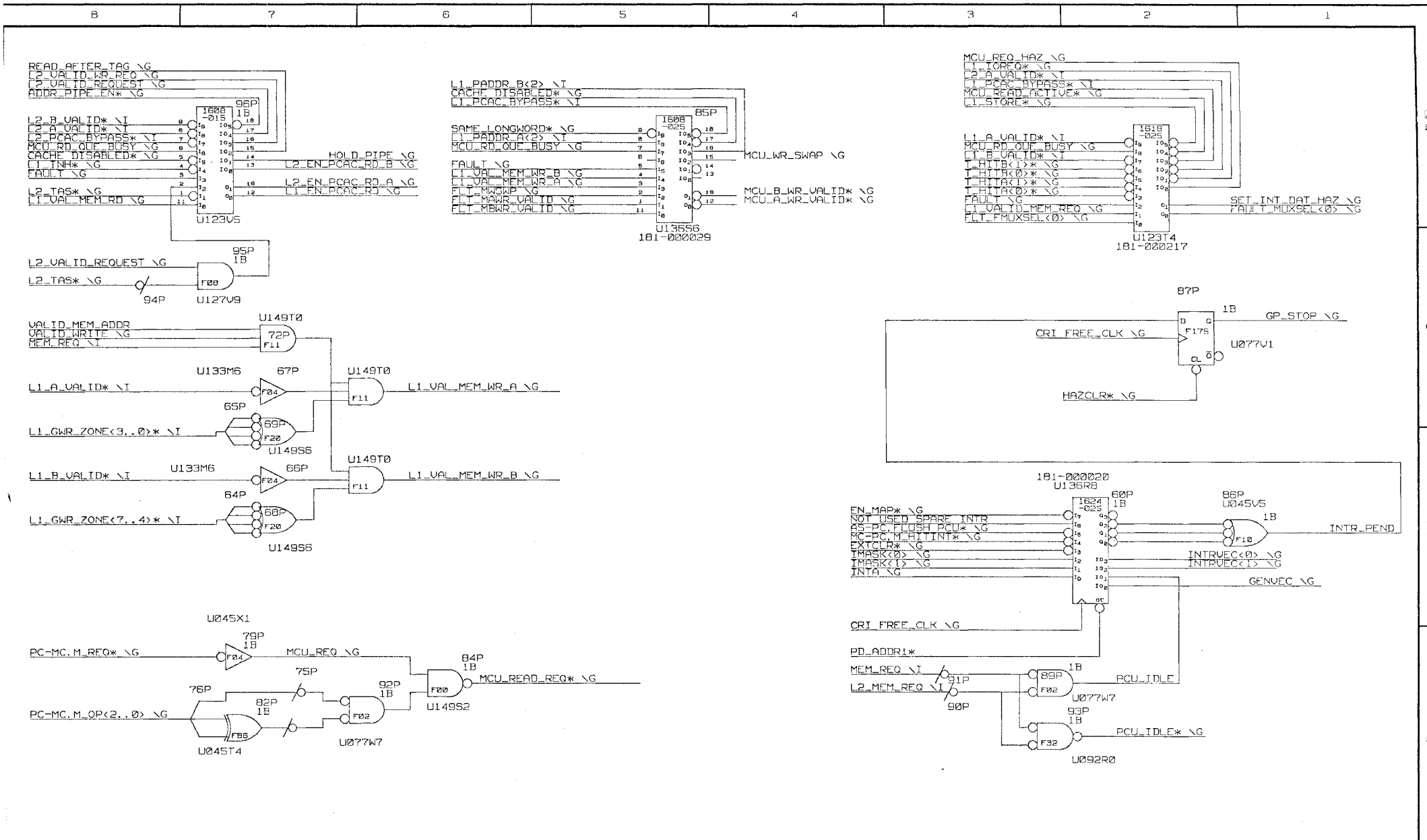


CONVEX

TITLE: ADDRESS DECODE
DRAWING: 410-000124-300 Rev D.02
REVISED: Mon Feb 11 14:37:49 1985

ABBR: ADEC
ENGR: WEATHERFORD

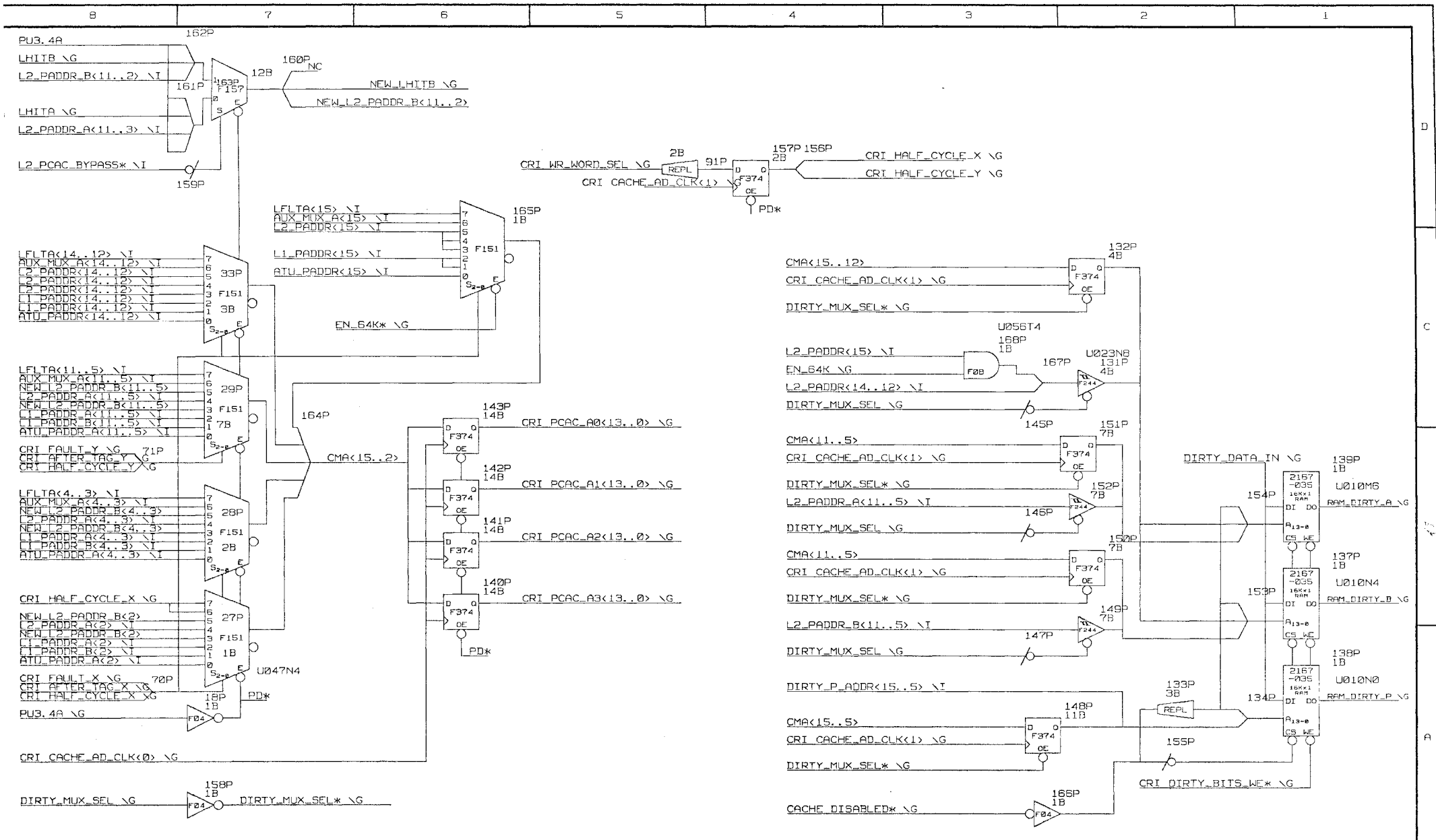
PAGE: PCU.3 ADEC_TAG.1 ADEC.1



THIS DOCUMENT CONTAINS INFORMATION PROPRIETARY TO CONVEX COMPUTER CORPORATION (CONVEX). USE OR DISCLOSURE WITHOUT THE WRITTEN PERMISSION OF AN OFFICER OF CONVEX IS EXPRESSLY FORBIDDEN. COPYRIGHT (C) CONVEX 1985



TITLE: ADDRESS DECODE	ABBR: ADEC
DRAWING: 410-000124-300 Rev D.02	ENGR: WEATHERFORD
REVISED: Mon Feb 11 14:38:34 1985	PAGE: PCU.3 ADEC_TAG.1 ADEC.2



THIS DOCUMENT CONTAINS INFORMATION PROPRIETARY TO CONVEX COMPUTER CORPORATION (CONVEX). USE OR DISCLOSURE WITHOUT THE WRITTEN PERMISSION OF AN OFFICER OF CONVEX IS EXPRESSLY FORBIDDEN. COPYRIGHT (C) CONVEX 1985

DEFINE
X,F157A
X,STEP415E



TITLE: CACHE ADDR GENERATOR	ABBR: CA_ADDR
DRAWING: 410-000124-300 Rev D.02	ENGR: WEATHERFORD
REVISED: Mon Feb 11 15:29:07 1985	PAGE: PCU.3 CA_ADDR.1

L2_PADDR<15..12> \I
 L2_PADDR<15..12> \I
 M_HITADD<15..12> \I
 PURGE_CNT<15..12>

L2_PADDR_A<11..5> \I
 L2_PADDR_B<11..5> \I
 M_HITADD<11..5> \I
 PURGE_CNT<11..5>

FLT_FMUXSEL<1> \G

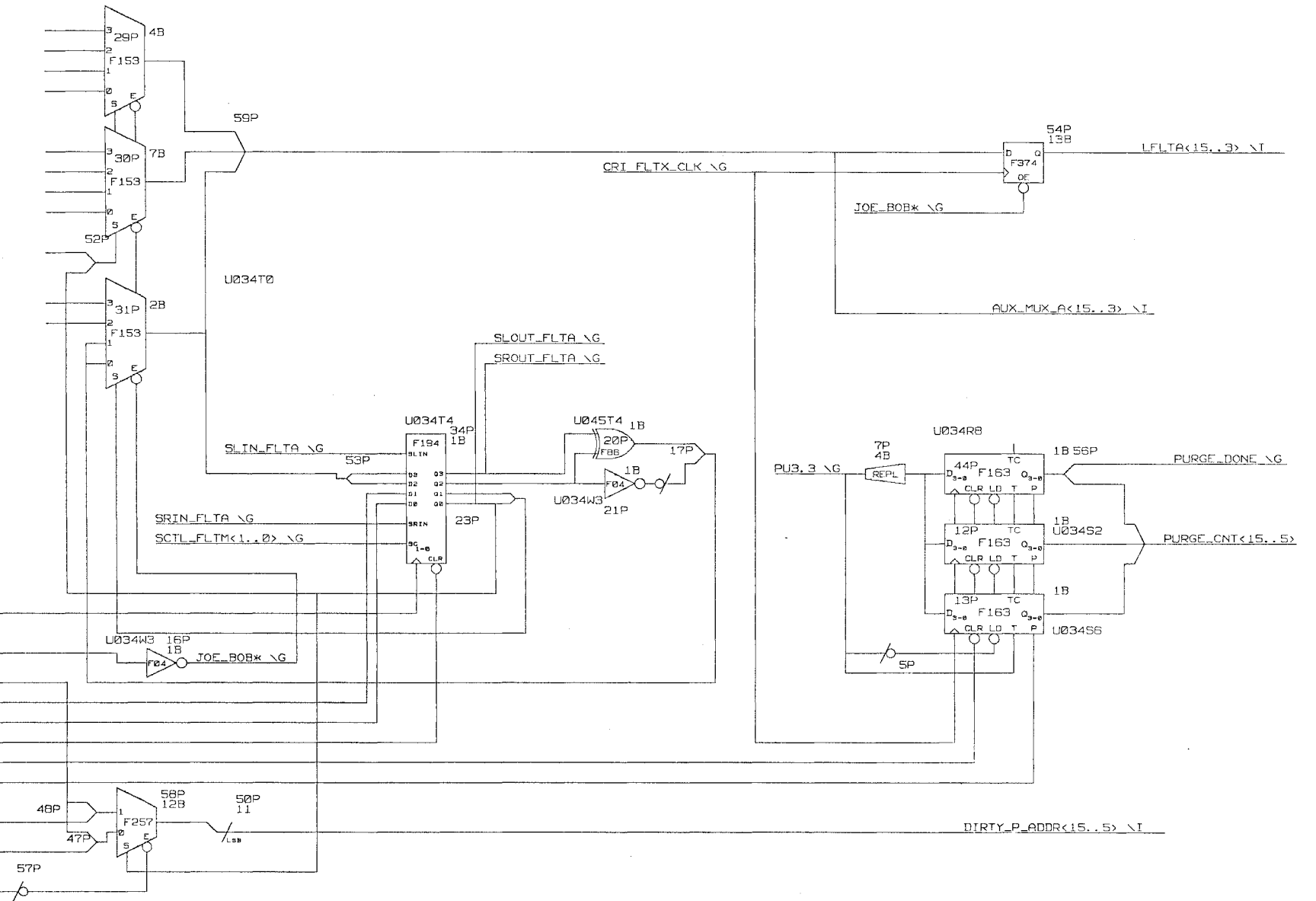
L2_PADDR_A<4..3> \I
 L2_PADDR_B<4..3> \I

CRI_FLTM_CLK \G

PURGE_DONE \G

PURGE_CNT<15..5>

DIRTY_MUX_SEL \G

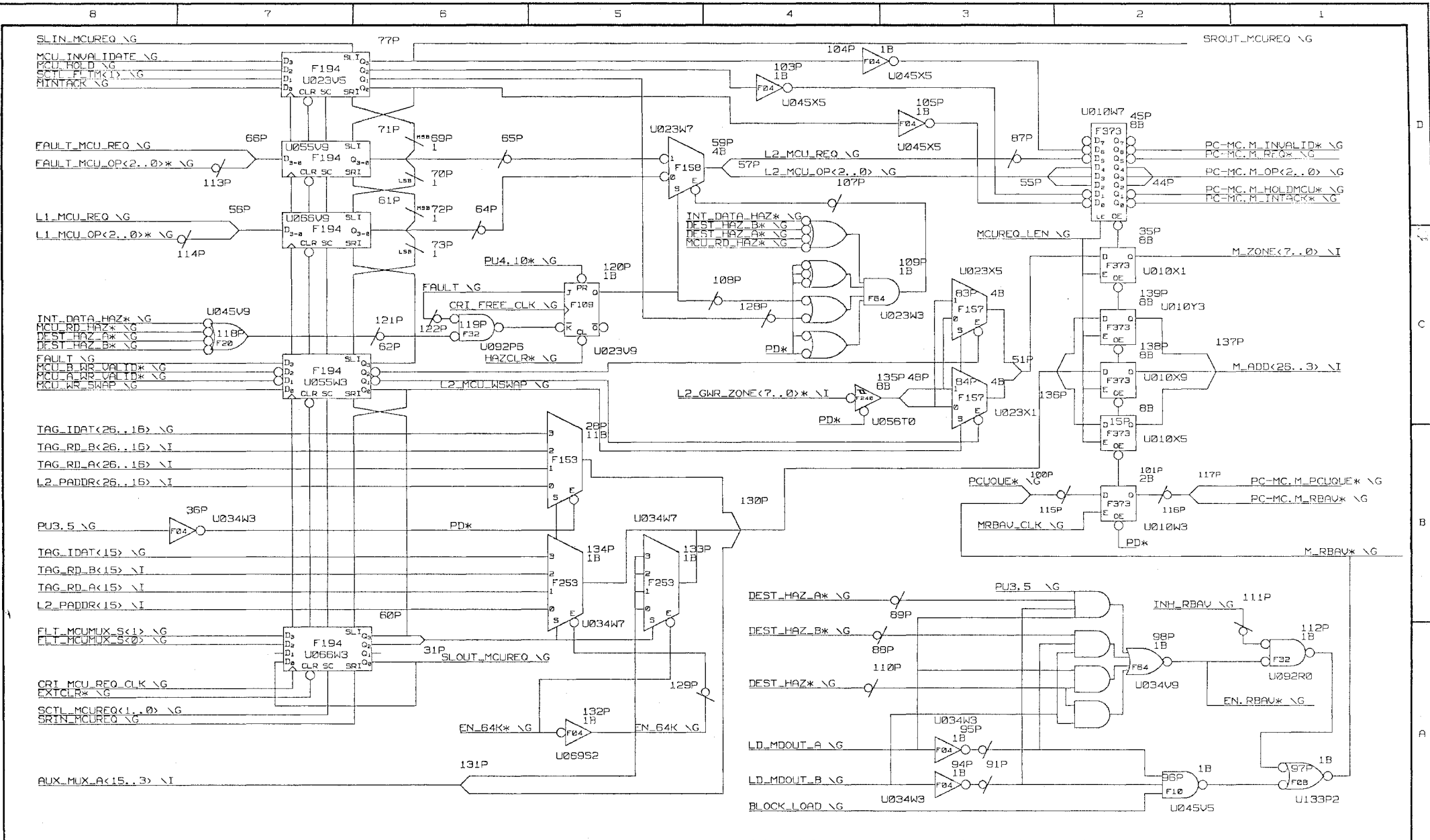


THIS DOCUMENT CONTAINS INFORMATION PROPRIETARY TO CONVEX COMPUTER CORPORATION (CONVEX). USE OR DISCLOSURE WITHOUT THE WRITTEN PERMISSION OF AN OFFICER OF CONVEX IS EXPRESSLY FORBIDDEN. COPYRIGHT (C) CONVEX 1985

REFINE
 X-STEP-313



TITLE: FAULT ADDR GENERATOR	ABBR: AUXMUX
DRAWING: 410-000124-300 Rev D.02	ENGR: WEATHERFORD
REVISED: Mon Feb 11 14:59:40 1985	PAGE: PCU.3 AUXMUX.1



THIS DOCUMENT CONTAINS INFORMATION PROPRIETARY TO CONVEX COMPUTER CORPORATION (CONVEX). USE OR DISCLOSURE WITHOUT THE WRITTEN PERMISSION OF AN OFFICER OF CONVEX IS EXPRESSLY FORBIDDEN. COPYRIGHT (C) CONVEX 1985

DEFINE
X:FF874
X:SYNTHSIC

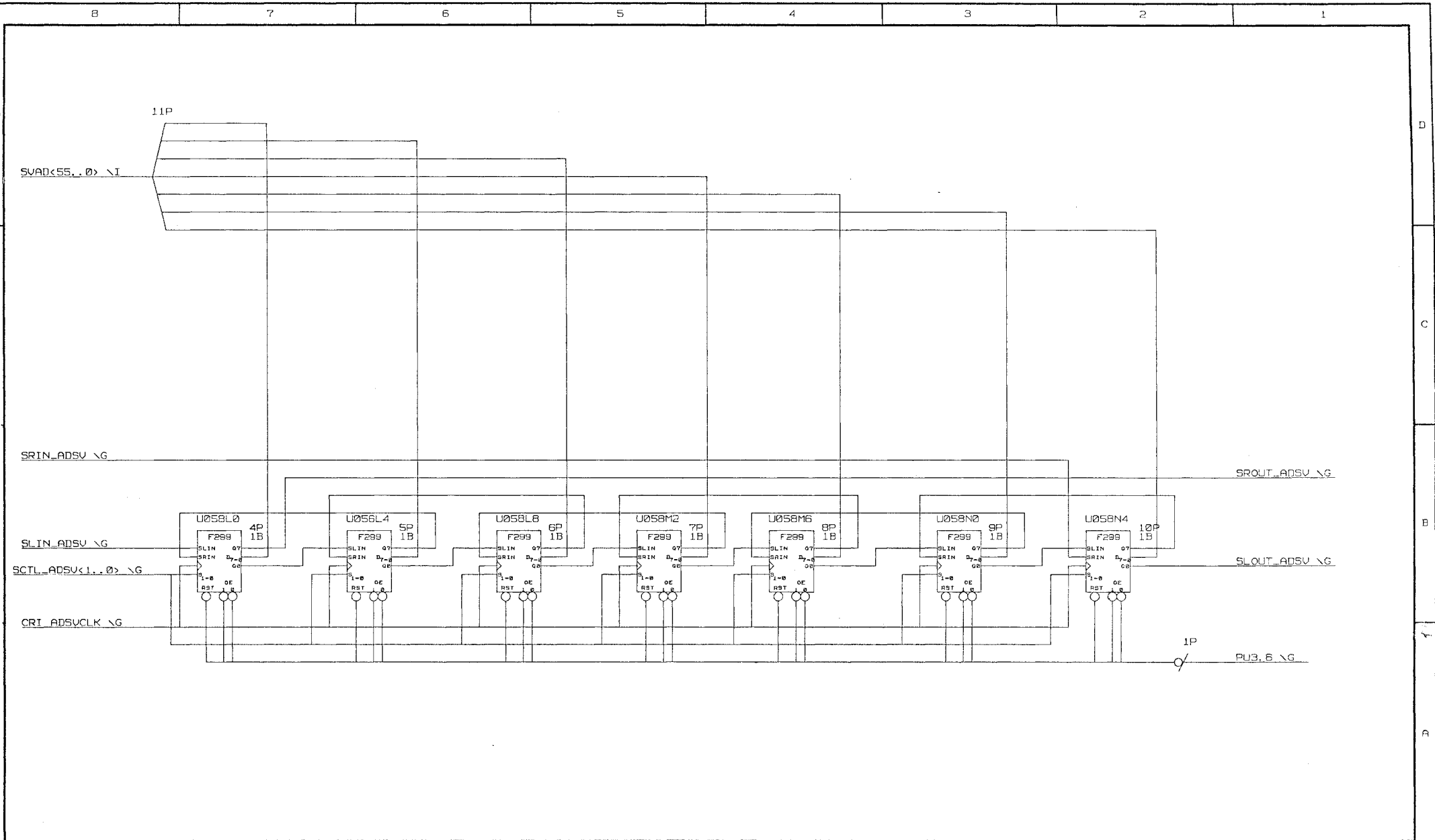


CONVEX

TITLE: MCU ADDRESS GEN
DRAWING: 410-000124-300 Rev D.02

ABBR: MCU_ADR
ENGR: WEATHERFORD

REVISED: Mon Feb 11 14:45:34 1985 | PAGE: PCU.3 MCU_ADR.1 of 1



THIS DOCUMENT CONTAINS INFORMATION PROPRIETARY TO CONVEX COMPUTER CORPORATION (CONVEX). USE OR DISCLOSURE WITHOUT THE WRITTEN PERMISSION OF AN OFFICER OF CONVEX IS EXPRESSLY FORBIDDEN. COPYRIGHT (C) CONVEX 1985

REFINE
X-PRINT-4
X-STEP-51

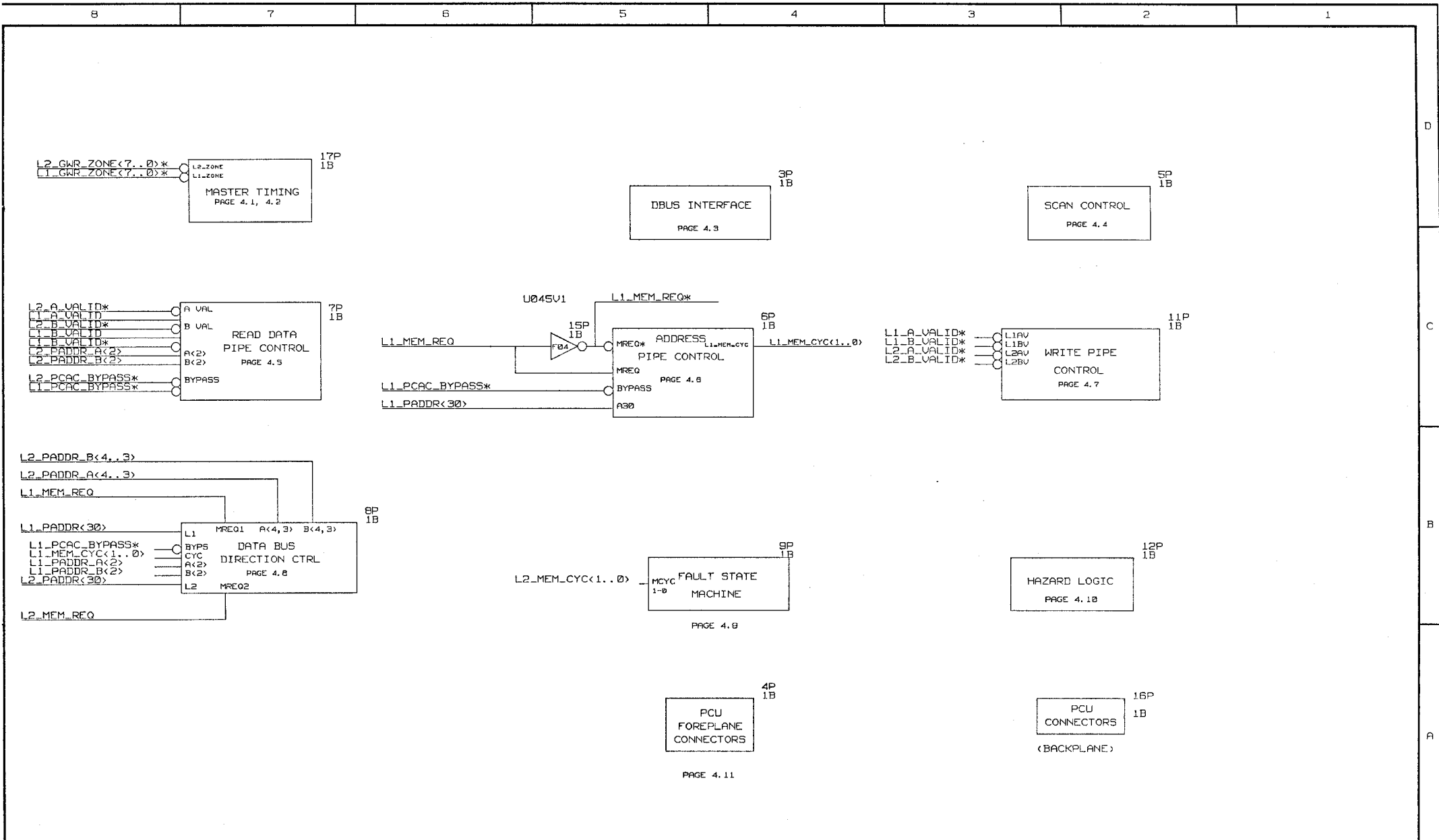


CONVEX

TITLE: ADDR SAVE REGISTER
DRAWING: 410-000124-300 Rev D.02
REVISED: Mon Feb 11 15:18:50 1985

ABBR: ADRSV
ENGR: WEATHERFORD

PAGE: PCU.3 ADRSV.1 of 1



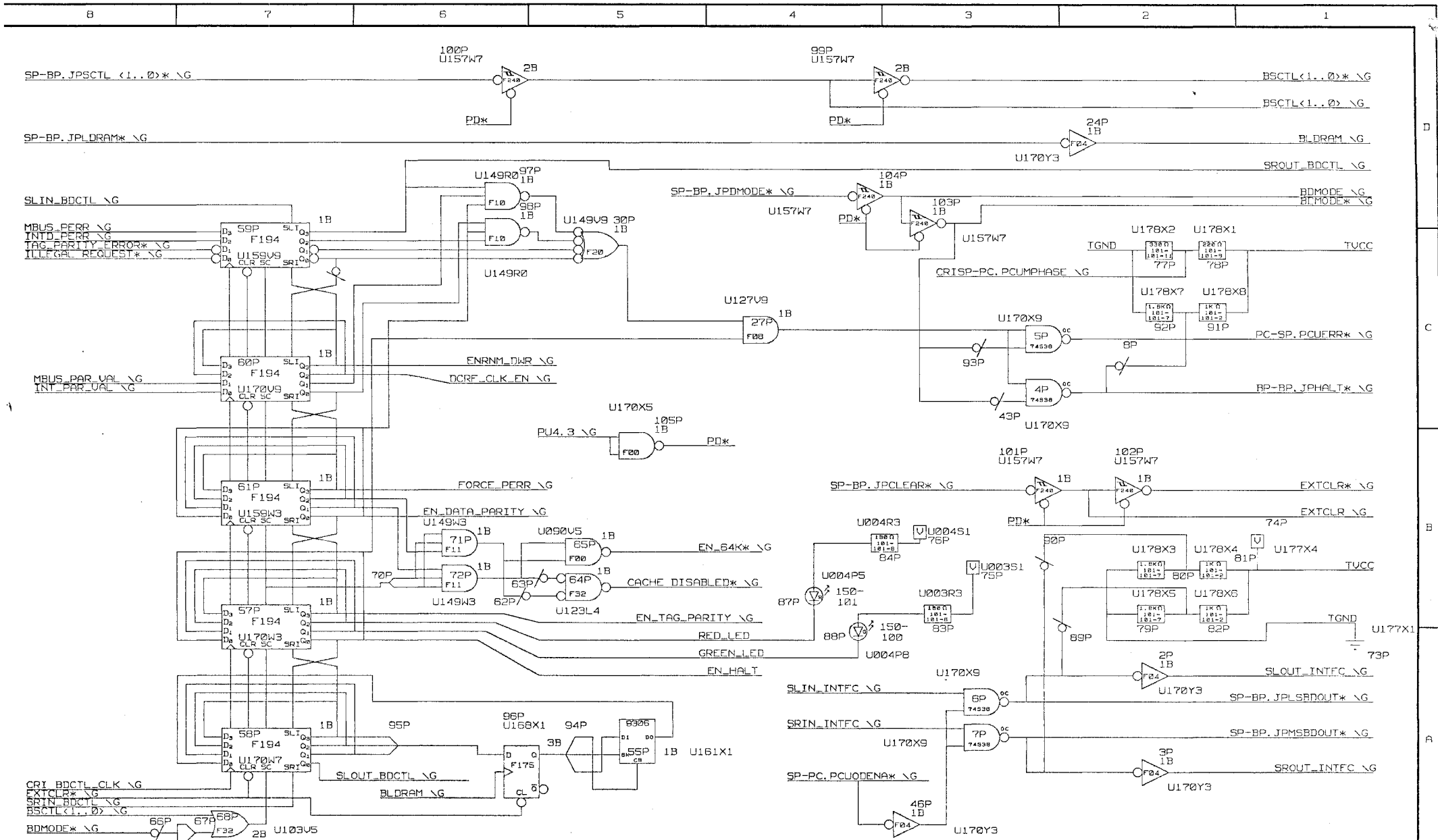
THIS DOCUMENT CONTAINS INFORMATION PROPRIETARY TO CONVEX COMPUTER CORPORATION (CONVEX). USE OR DISCLOSURE WITHOUT THE WRITTEN PERMISSION OF AN OFFICER OF CONVEX IS EXPRESSLY FORBIDDEN. COPYRIGHT (C) CONVEX 1985



TITLE: PCU CONTROL FUNCTIONS
DRAWING: 410-000124-300 Rev D.02

ABBR: PCU
ENGR: WEATHERFORD

REVISED: Mon Feb 11 14:55:30 1985 | PAGE: PCU.4



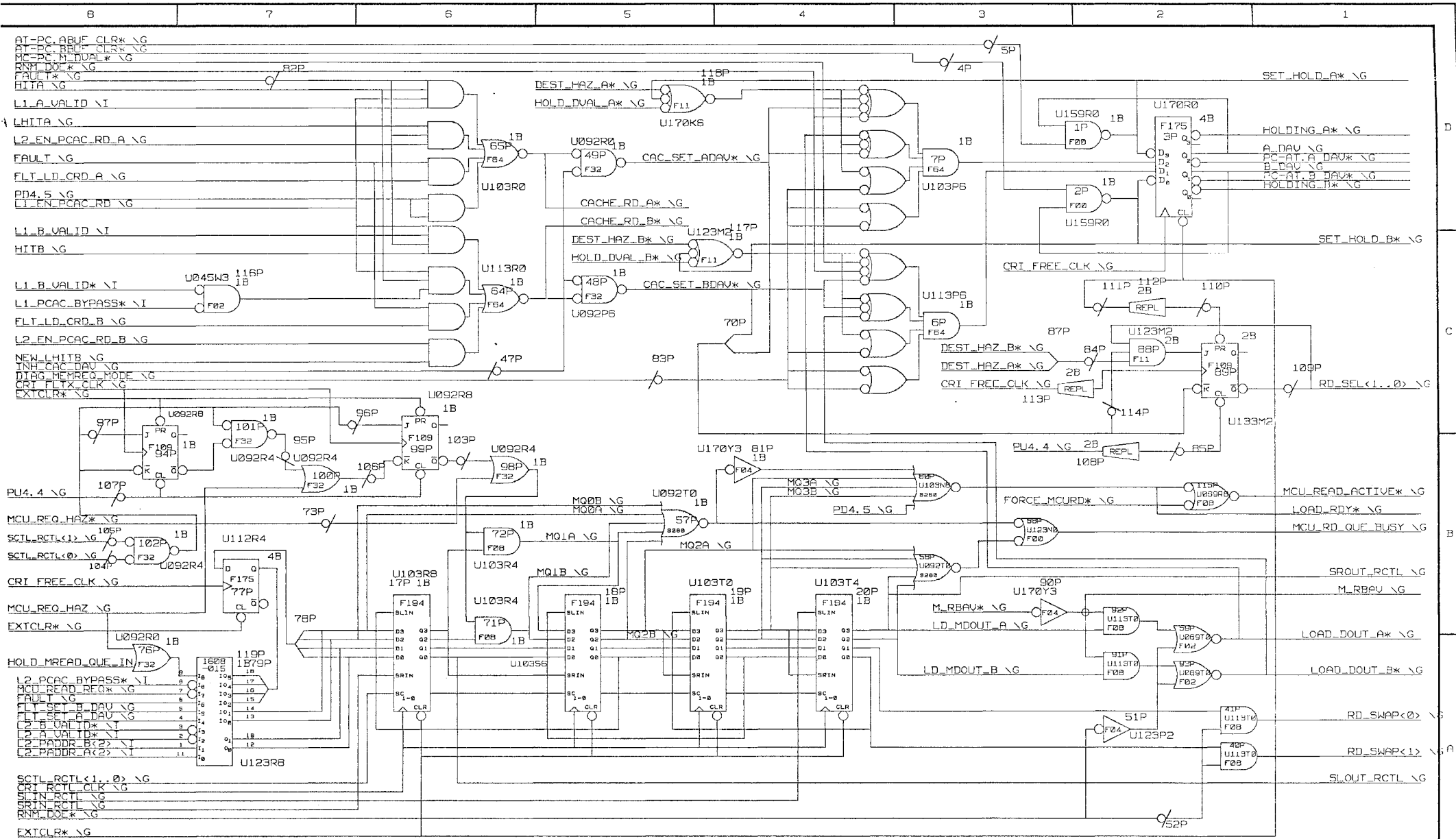
THIS DOCUMENT CONTAINS INFORMATION PROPRIETARY TO CONVEX COMPUTER CORPORATION (CONVEX). USE OR DISCLOSURE WITHOUT THE WRITTEN PERMISSION OF AN OFFICER OF CONVEX IS EXPRESSLY FORBIDDEN. COPYRIGHT (C) CONVEX 1985

DEFINE X:FIRST=1 X:STEP=211



CONVEX

TITLE: DBUS INTERFACE	ABBR: DBUS
DRAWING: 410-000124-300 Rev D.02	ENGR: WEATHERFORD
REVISED: Mon Feb 11 14:46:29 1985	PAGE: PCU.4 DBUS.1 of 1

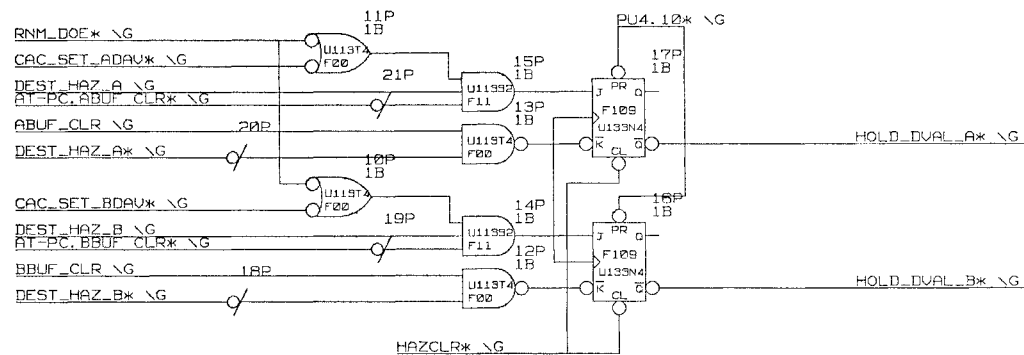
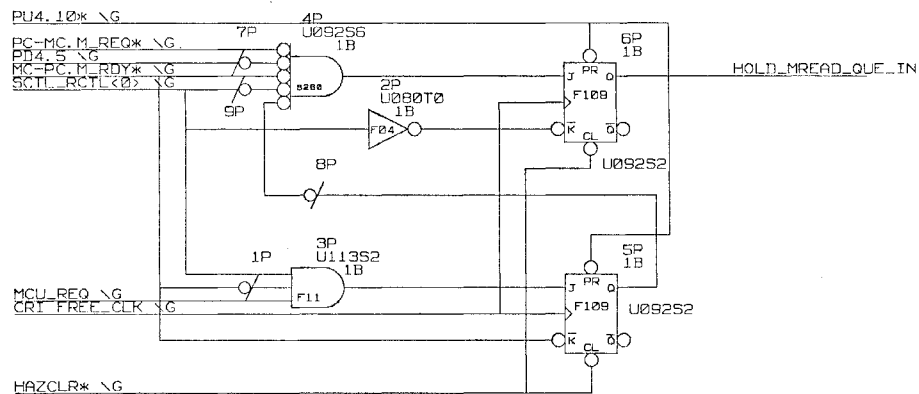


THIS DOCUMENT CONTAINS INFORMATION PROPRIETARY TO CONVEX COMPUTER CORPORATION (CONVEX). USE OR DISCLOSURE WITHOUT THE WRITTEN PERMISSION OF AN OFFICER OF CONVEX IS EXPRESSLY FORBIDDEN. COPYRIGHT (C) CONVEX 1985

DEFINE
X=FIRST
K=STEP



TITLE: READ DATA PIPE CONTROL
 DRAWING: 410-000124-300 Rev D.02
 REVISED: Mon Feb 11 15:08:17 1985
 PAGE: PCU.4 RD_PIPE.1 of 2
 ABBR: RD_PIPE
 ENGR: WEATHERFORD



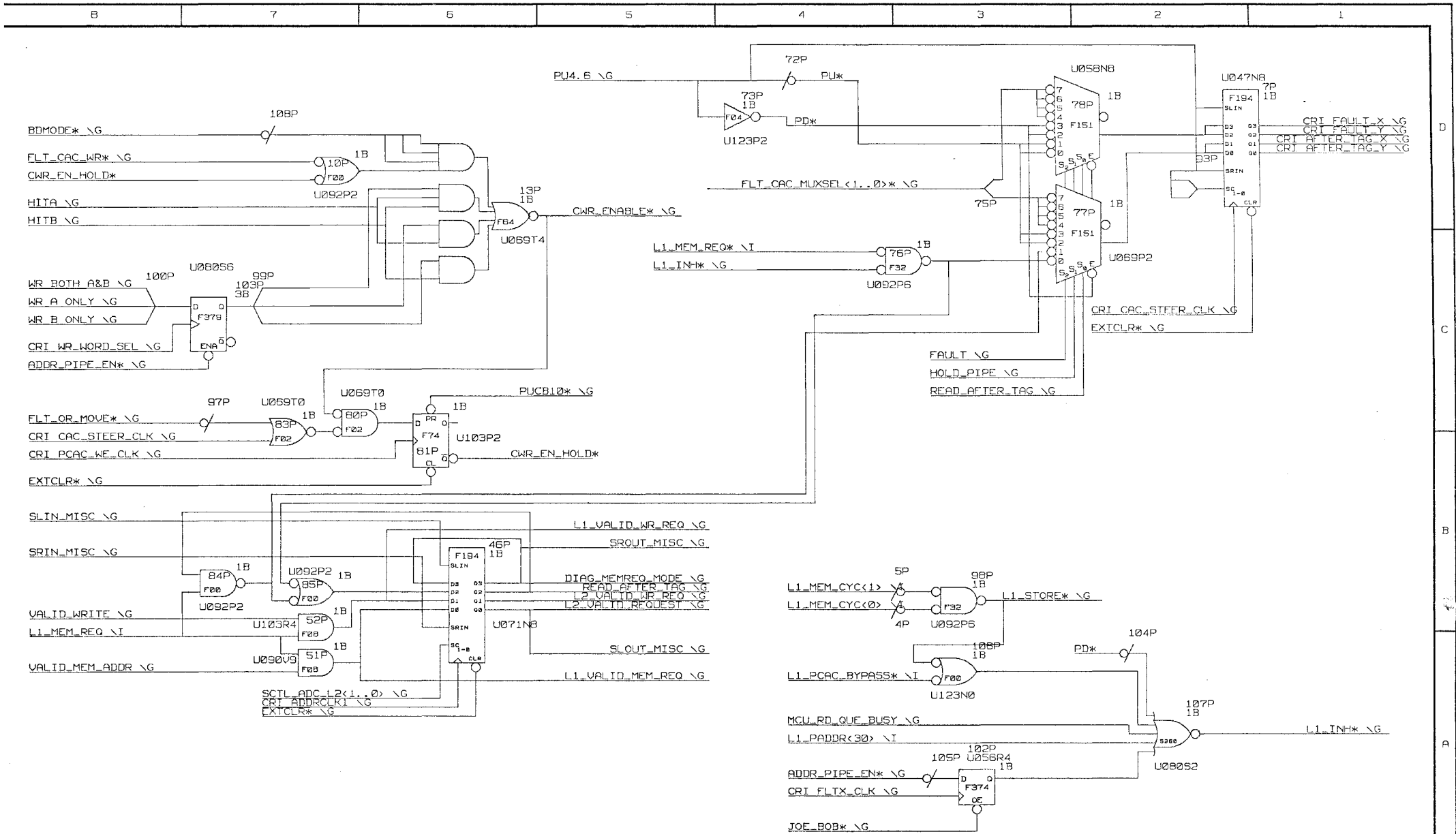
THIS DOCUMENT CONTAINS INFORMATION PROPRIETARY TO CONVEX COMPUTER CORPORATION (CONVEX). USE OR DISCLOSURE WITHOUT THE WRITTEN PERMISSION OF AN OFFICER OF CONVEX IS EXPRESSLY FORBIDDEN. COPYRIGHT (C) CONVEX 1985



TITLE: READ DATA PIPE CONTROL
DRAWING: 410-000124-300 Rev D.02

ABBR: RD_PIPE
ENGR: WEATHERFORD

REVISED: Mon Feb 11 15:09:29 1985 | PAGE: PCU.4_RD_PIPE.2



THIS DOCUMENT CONTAINS INFORMATION PROPRIETARY TO CONVEX COMPUTER CORPORATION (CONVEX). USE OR DISCLOSURE WITHOUT THE WRITTEN PERMISSION OF AN OFFICER OF CONVEX IS EXPRESSLY FORBIDDEN. COPYRIGHT (C) CONVEX 1985

DEFINE
X_FIRST0
X_STEP=01C



CONVEX

TITLE: ADDRESS PIPE CONTROL
DRAWING: 410-000124-300 Rev D.02

ABBR: AD_PIPE
ENGR: WEATHERFORD

REVISED: Mon Feb 11 14:36:24 1985 PAGE: PCU.4 AD_PIPE.1 of 2

8

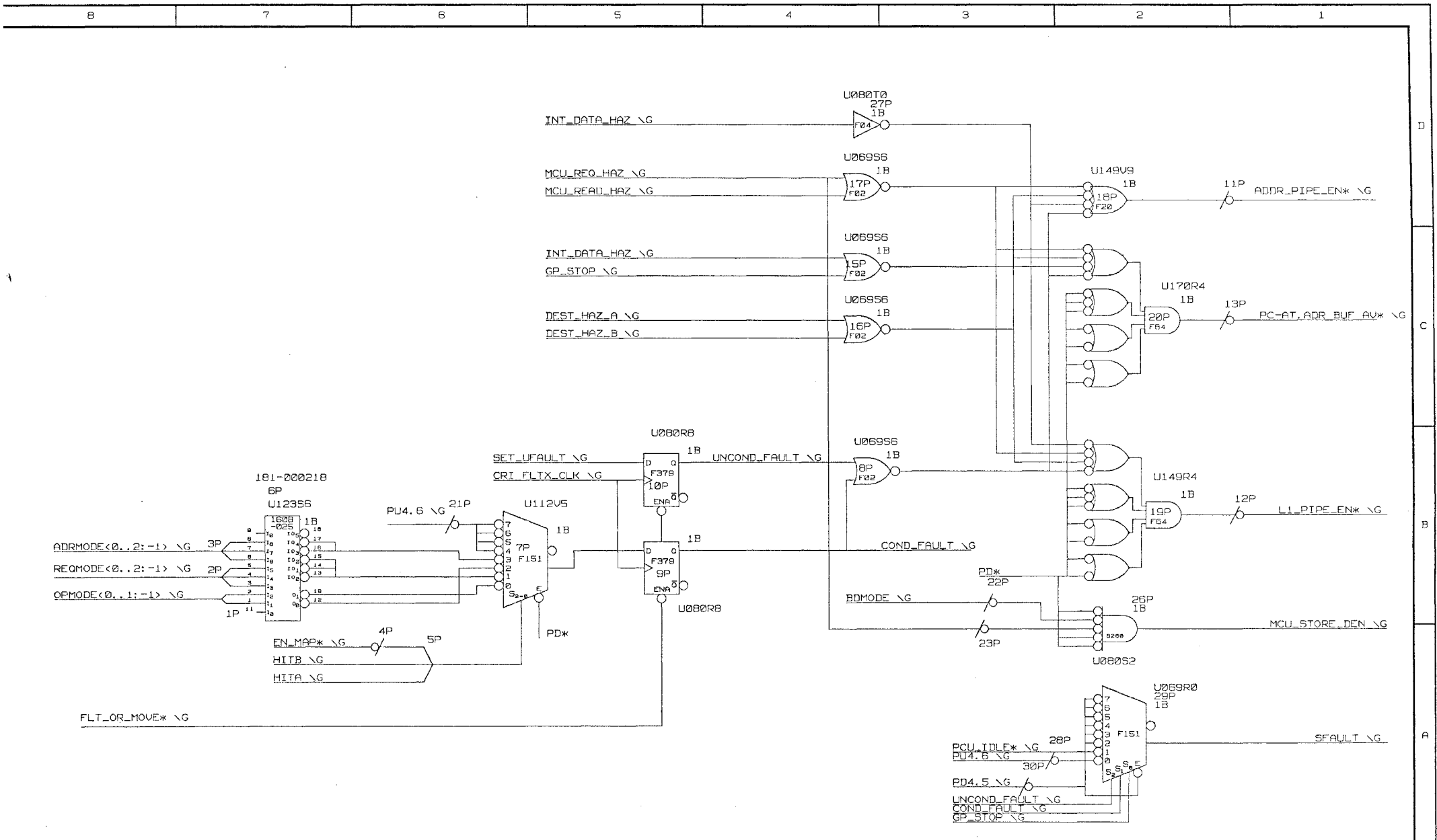
7

6

3

2

1



THIS DOCUMENT CONTAINS INFORMATION PROPRIETARY TO CONVEX COMPUTER CORPORATION (CONVEX). USE OR DISCLOSURE WITHOUT THE WRITTEN PERMISSION OF AN OFFICER OF CONVEX IS EXPRESSLY FORBIDDEN. COPYRIGHT (C) CONVEX 1985



TITLE: ADDRESS PIPE CONTROL
DRAWING: 410-000124-300 Rev D.02

ABBR: AD_PIPE
ENGR: WEATHERFORD

REVISED: Mon Feb 11 14:37:05 1985 PAGE: PCU.4 AD_PIPE.2

B

7

6

5

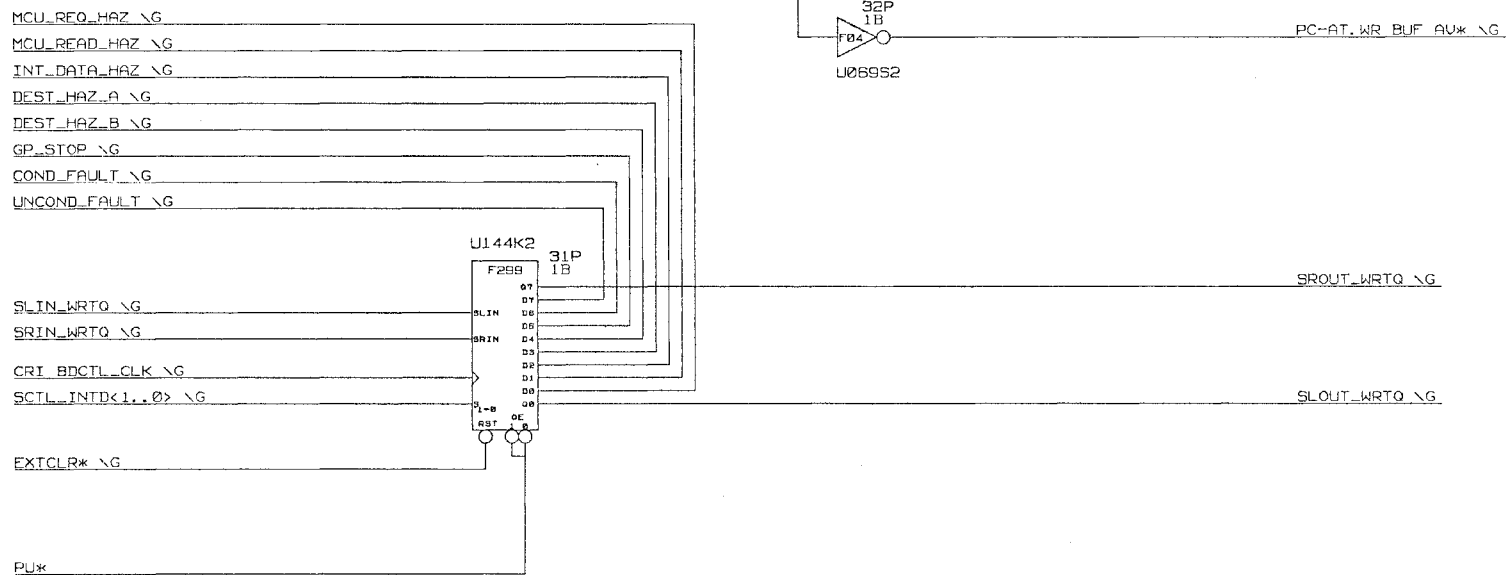
4

3

2

1

CLOCK STOP SCAN VISIBILITY



THIS DOCUMENT CONTAINS INFORMATION PROPRIETARY TO CONVEX COMPUTER CORPORATION (CONVEX). USE OR DISCLOSURE WITHOUT THE WRITTEN PERMISSION OF AN OFFICER OF CONVEX IS EXPRESSLY FORBIDDEN. COPYRIGHT (C) CONVEX 1985

DEFINE
X=FF857E
A=STEP-DIG



CONVEX

TITLE: WRITE PIPE CONTROL
DRAWING: 410-000124-300 Rev D.02

ABBR: WR_PIPE
ENGR: WEATHERFORD

REVISED: Mon Feb 11 15:10:03 1985 PAGE: PCU.4 WR_PIPE.1 of 1

B

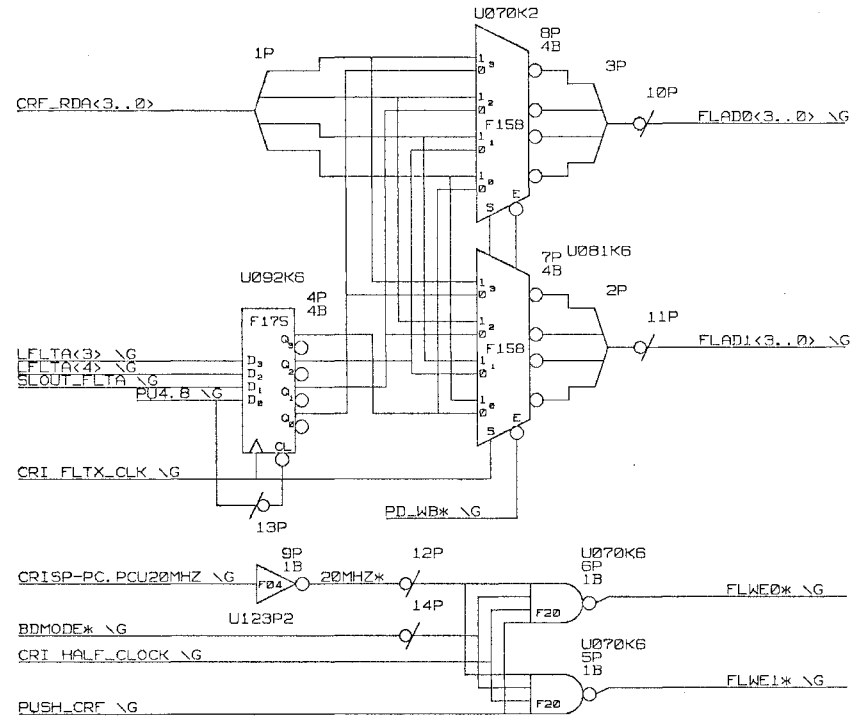
7

6

3

2

1



THIS DOCUMENT CONTAINS INFORMATION PROPRIETARY TO CONVEX COMPUTER CORPORATION (CONVEX). USE OR DISCLOSURE WITHOUT THE WRITTEN PERMISSION OF AN OFFICER OF CONVEX IS EXPRESSLY FORBIDDEN. COPYRIGHT (C) CONVEX 1985



TITLE: DATA BUS DIRECTION CTRL
DRAWING: 410-000124-300 Rev D.02

ABBR: DATA_DIR
ENGR: WEATHERFORD

REVISED: Mon Feb 11 14:47:03 1985

PAGE: PCU.4 DATA_DIR.2

8

7

6

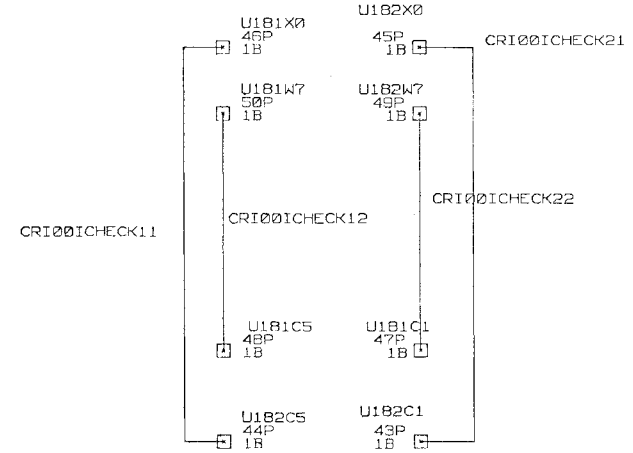
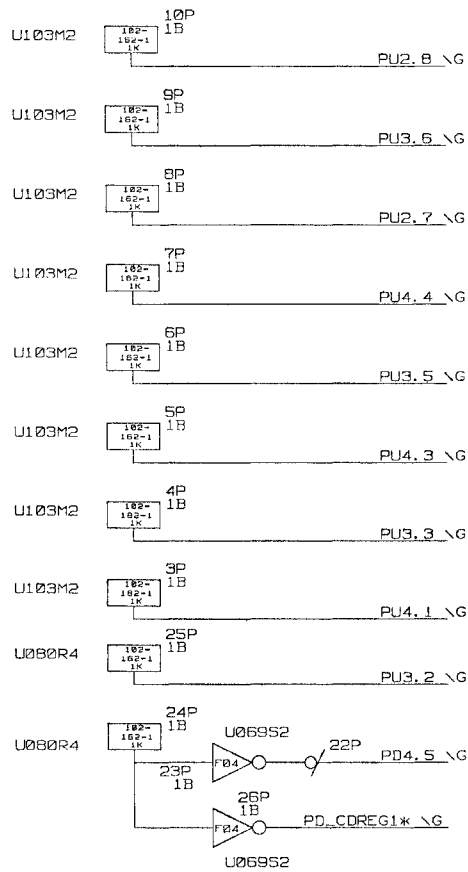
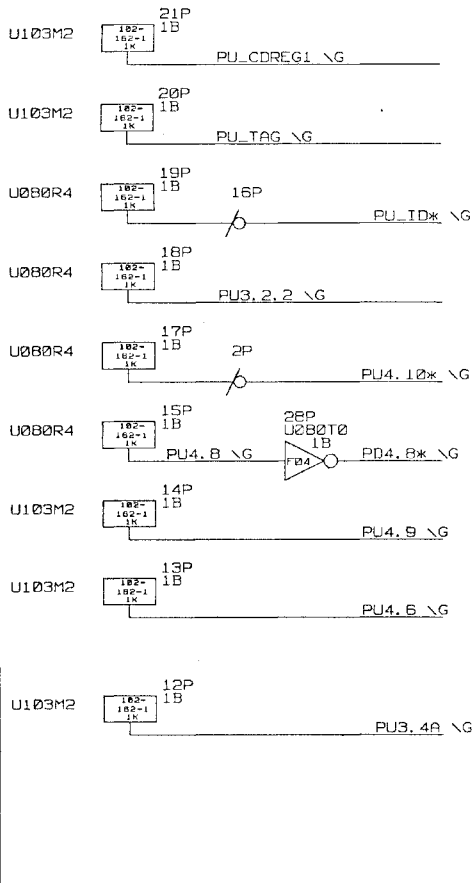
5

4

3

2

1



THIS DOCUMENT CONTAINS INFORMATION PROPRIETARY TO CONVEX COMPUTER CORPORATION (CONVEX). USE OR DISCLOSURE WITHOUT THE WRITTEN PERMISSION OF AN OFFICER OF CONVEX IS EXPRESSLY FORBIDDEN. COPYRIGHT (C) CONVEX 1985



TITLE: PCU
DRAWING: 410-000124-300 Rev D.02

ABBR: PCU
ENGR: WEATHERFORD

REVISED: Mon Feb 11 14:56:28 1985 | PAGE: PCU.5

8

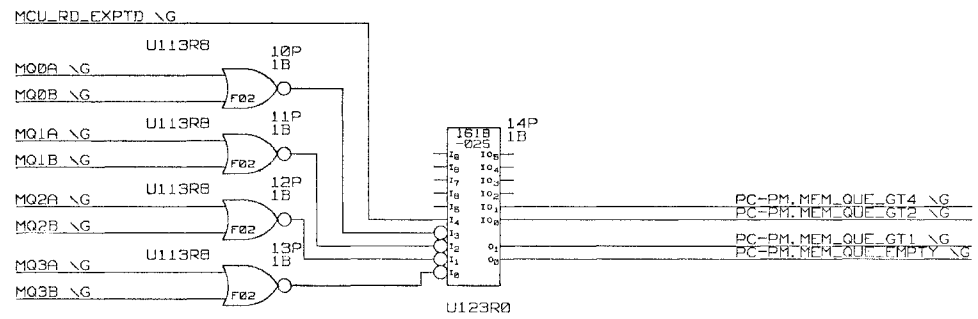
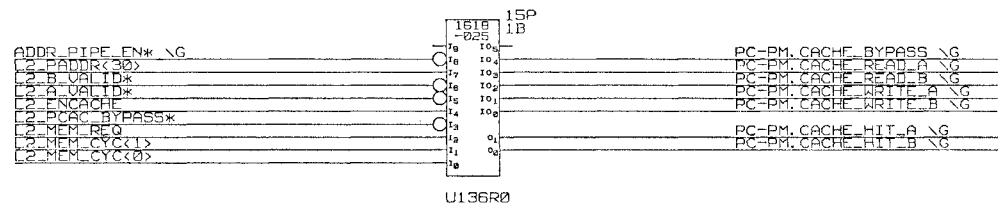
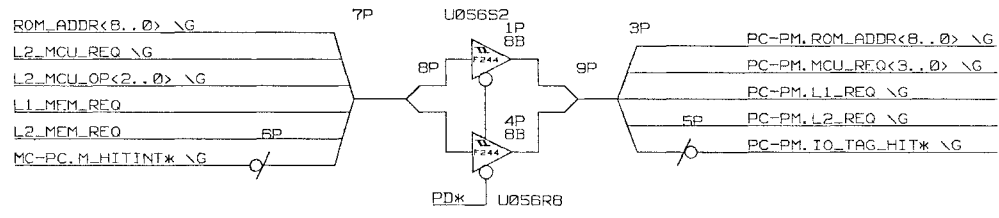
7

6

3

2

1



THIS DOCUMENT CONTAINS INFORMATION PROPRIETARY TO CONVEX COMPUTER CORPORATION (CONVEX). USE OR DISCLOSURE WITHOUT THE WRITTEN PERMISSION OF AN OFFICER OF CONVEX IS EXPRESSLY FORBIDDEN. COPYRIGHT (C) CONVEX 1985



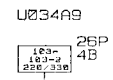
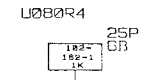
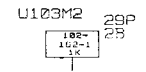
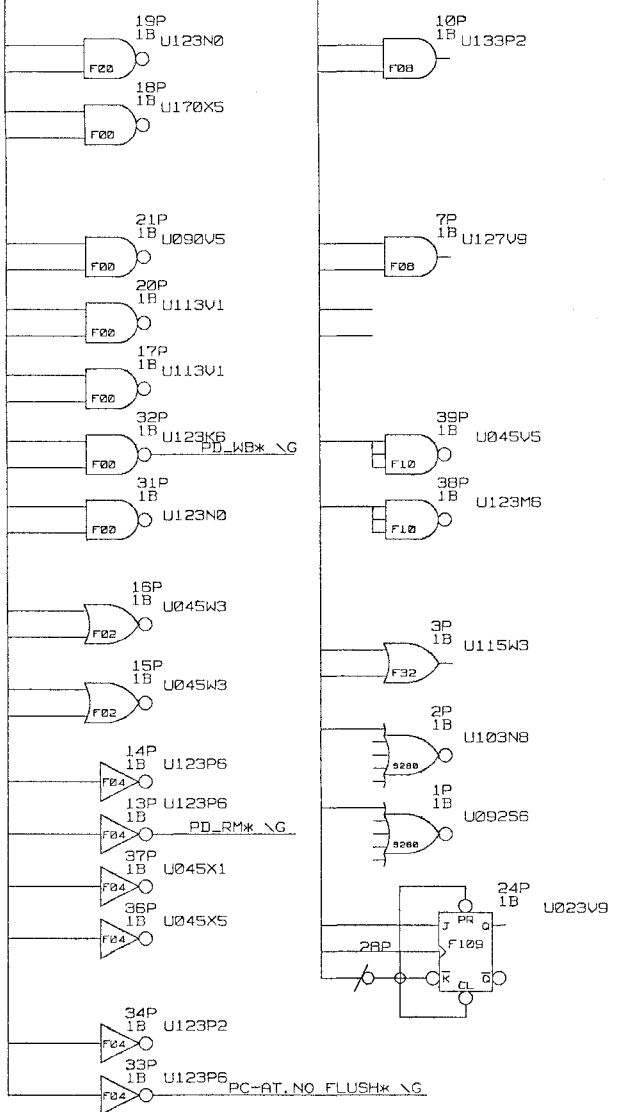
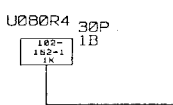
CONVEX

TITLE: PCU PERFORMANCE MONITOR SIGNALS
DRAWING: 410-000124-300 Rev D.02

ABBR: PCU
ENGR: WEATHERFORD

REVISED: Mon Feb 11 14:57:26 1985 | PAGE: PCU.6

PU_SPARE \G



THIS DOCUMENT CONTAINS INFORMATION PROPRIETARY TO CONVEX COMPUTER CORPORATION (CONVEX). USE OR DISCLOSURE WITHOUT THE WRITTEN PERMISSION OF AN OFFICER OF CONVEX IS EXPRESSLY FORBIDDEN. COPYRIGHT (C) CONVEX 1985



TITLE: PCU SPARES
DRAWING: 410-000124-300 Rev D.02

ABBR: PCU
ENGR: WEATHERFORD

REVISED: Mon Feb 11 14:58:23 1985 | PAGE: PCU.7

8

7

6

5

4

3

2

1

U002A8
300-41612-396

1P
1B

C	
32	CONGND \G
31	FP-FP.M_DATA<17> \G
30	FP-FP.M_DATA<19> \G
29	FP-FP.M_DATA<21> \G
28	NC
27	NC
26	NC
25	FP-FP.M_DATA<50> \G
24	CONGND \G
23	FP-FP.M_DATA<52> \G
22	FP-FP.M_DATA<54> \G
21	NC
20	NC
19	FP-FP.M_DATA<24> \G
18	FP-FP.M_DATA<26> \G
17	FP-FP.M_DATA<28> \G
16	CONGND \G
15	FP-FP.M_DATA<30> \G
14	NC
13	NC
12	NC
11	FP-FP.M_DATA<56> \G
10	FP-FP.M_DATA<58> \G
09	FP-FP.M_DATA<60> \G
08	CONGND \G
07	FP-FP.M_DATA<62> \G
06	NC
05	NC
04	FP-FP.M_PAR<7> \G
03	FP-FP.M_PAR<5> \G
02	FP-FP.M_PAR<3> \G
01	FP-FP.M_PAR<1> \G

B	
32	FP-FP.M_DATA<16> \G
31	FP-FP.M_DATA<18> \G
30	FP-FP.M_DATA<20> \G
29	FP-FP.M_DATA<22> \G
28	FP-FP.M_DATA<23> \G
27	NC
26	FP-FP.M_DATA<48> \G
25	FP-FP.M_DATA<49> \G
24	FP-FP.M_DATA<51> \G
23	FP-FP.M_DATA<53> \G
22	FP-FP.M_DATA<55> \G
21	NC
20	NC
19	NC
18	FP-FP.M_DATA<25> \G
17	FP-FP.M_DATA<27> \G
16	FP-FP.M_DATA<29> \G
15	FP-FP.M_DATA<31> \G
14	NC
13	NC
12	NC
11	FP-FP.M_DATA<57> \G
10	FP-FP.M_DATA<59> \G
09	FP-FP.M_DATA<61> \G
08	FP-FP.M_DATA<63> \G
07	NC
06	NC
05	NC
04	FP-FP.M_PAR<6> \G
03	FP-FP.M_PAR<4> \G
02	FP-FP.M_PAR<2> \G
01	FP-FP.M_PAR<0> \G

A	
32	NC
31	NC
30	NC
29	NC
28	CONGND \G
27	NC
26	NC
25	NC
24	NC
23	NC
22	NC
21	NC
20	CONGND \G
19	NC
18	NC
17	NC
16	NC
15	NC
14	NC
13	NC
12	CONGND \G
11	NC
10	NC
09	NC
08	NC
07	NC
06	NC
05	NC
04	CONGND \G
03	NC
02	NC
01	NC

J1 CONNECTOR

THIS DOCUMENT CONTAINS INFORMATION PROPRIETARY TO CONVEX COMPUTER CORPORATION (CONVEX). USE OR DISCLOSURE WITHOUT THE WRITTEN PERMISSION OF AN OFFICER OF CONVEX IS EXPRESSLY FORBIDDEN. COPYRIGHT (C) CONVEX 1985

DEFINE
X-FINDSTR
X-TERMDEL



CONVEX

TITLE:	FPCONS	ABBR:	FPCONS
DRAWING:	410-000124-300 Rev D.02	ENGR:	WEATHERFORD
REVISED:	Mon Feb 11 15:44:42 1985		4.11.1

8

7

6

3

2

1

8

7

6

5

4

3

2

1

U002E7
300-41612-396

1P
1B

C	
32	CONGND \G
31	FP-FP.M_DATA<0> \G
30	FP-FP.M_DATA<2> \G
29	FP-FP.M_DATA<4> \G
28	FP-FP.M_DATA<6> \G
27	NC
26	NC
25	NC
24	CONGND \G
23	NC
22	FP-FP.M_DATA<32> \G
21	FP-FP.M_DATA<34> \G
20	FP-FP.M_DATA<36> \G
19	FP-FP.M_DATA<38> \G
18	NC
17	NC
16	CONGND \G
15	NC
14	NC
13	FP-FP.M_DATA<8> \G
12	FP-FP.M_DATA<10> \G
11	FP-FP.M_DATA<12> \G
10	FP-FP.M_DATA<14> \G
09	NC
08	CONGND \G
07	NC
06	NC
05	NC
04	FP-FP.M_DATA<40> \G
03	FP-FP.M_DATA<42> \G
02	FP-FP.M_DATA<44> \G
01	FP-FP.M_DATA<46> \G

B	
32	PC-MC.M_LENMBUS* \G
31	FP-FP.M_DATA<1> \G
30	FP-FP.M_DATA<3> \G
29	FP-FP.M_DATA<5> \G
28	FP-FP.M_DATA<7> \G
27	NC
26	NC
25	NC
24	NC
23	NC
22	FP-FP.M_DATA<33> \G
21	FP-FP.M_DATA<35> \G
20	FP-FP.M_DATA<37> \G
19	FP-FP.M_DATA<39> \G
18	NC
17	NC
16	NC
15	NC
14	NC
13	FP-FP.M_DATA<9> \G
12	FP-FP.M_DATA<11> \G
11	FP-FP.M_DATA<13> \G
10	FP-FP.M_DATA<15> \G
09	NC
08	NC
07	NC
06	NC
05	NC
04	FP-FP.M_DATA<41> \G
03	FP-FP.M_DATA<43> \G
02	FP-FP.M_DATA<45> \G
01	FP-FP.M_DATA<47> \G

A	
32	NC
31	NC
30	NC
29	NC
28	CONGND \G
27	NC
26	NC
25	NC
24	NC
23	NC
22	NC
21	NC
20	CONGND \G
19	NC
18	NC
17	NC
16	NC
15	NC
14	NC
13	NC
12	CONGND \G
11	NC
10	NC
09	NC
08	NC
07	NC
06	NC
05	NC
04	CONGND \G
03	NC
02	NC
01	NC

J2 CONNECTOR

THIS DOCUMENT CONTAINS INFORMATION PROPRIETARY TO CONVEX COMPUTER CORPORATION (CONVEX). USE OR DISCLOSURE WITHOUT THE WRITTEN PERMISSION OF AN OFFICER OF CONVEX IS EXPRESSLY FORBIDDEN. COPYRIGHT (C) CONVEX 1985



CONVEX

TITLE:	FPCONS	ABBR:	FPCONS
DRAWING:	410-000124-300 Rev D.02	ENGR:	WEATHERFORD
REVISED:	Mon Feb 11 15:46: J8AG1985		4.11.2

8

7

6

3

2

1

U002V4
300-41612-396

C	
32	CONGND \G
31	PC-MC.M_ADD<24> \G
30	PC-MC.M_ADD<21> \G
29	PC-MC.M_ADD<18> \G
28	PC-MC.M_ADD<15> \G
27	PC-MC.M_ADD<13> \G
26	PC-MC.M_ADD<10> \G
25	PC-MC.M_ADD<7> \G
24	CONGND \G
23	NC
22	NC
21	MC-PC.M_HITADD<14> \G
20	MC-PC.M_HITADD<11> \G
19	MC-PC.M_HITADD<9> \G
18	MC-PC.M_HITADD<6> \G
17	NC
16	CONGND \G
15	PC-MC.M_ZONE<5> \G
14	PC-MC.M_ZONE<2> \G
13	MC-PC.M_HITINT* \G
12	PC-MC.M_INVALID* \G
11	MC-PC.M_RDY* \G
10	MC-PC.M_DVAL* \G
09	MC-PC.M_WBAU* \G
08	CONGND \G
07	PC-MC.M_PCUQUE* \G
06	PC-MC.M_HOLDMCU* \G
05	PC-MC.M_RBAU* \G
04	PC-MC.M_OP<0> \G
03	PC-MC.M_OP<1> \G
02	PC-MC.M_OP<2> \G
01	PC-MC.M_REQ* \G

1B	
B	
32	PC-MC.M_ADD<26> \G
31	PC-MC.M_ADD<23> \G
30	PC-MC.M_ADD<20> \G
29	PC-MC.M_ADD<17> \G
28	PC-MC.M_ADD<14> \G
27	PC-MC.M_ADD<12> \G
26	PC-MC.M_ADD<9> \G
25	PC-MC.M_ADD<6> \G
24	PC-MC.M_ADD<4> \G
23	NC
22	NC
21	MC-PC.M_HITADD<13> \G
20	MC-PC.M_HITADD<10> \G
19	MC-PC.M_HITADD<8> \G
18	MC-PC.M_HITADD<5> \G
17	NC
16	PC-MC.M_ZONE<7> \G
15	PC-MC.M_ZONE<4> \G
14	PC-MC.M_ZONE<1> \G
13	NC
12	PC-MC.M_INTACK* \G
11	NC
10	MC-PC.PARITY_VALID \G
09	NC
08	NC
07	NC
06	NC
05	NC
04	NC
03	NC
02	NC
01	NC

A	
32	PC-MC.M_ADD<25> \G
31	PC-MC.M_ADD<22> \G
30	PC-MC.M_ADD<19> \G
29	PC-MC.M_ADD<16> \G
28	CONGND \G
27	PC-MC.M_ADD<11> \G
26	PC-MC.M_ADD<8> \G
25	PC-MC.M_ADD<5> \G
24	PC-MC.M_ADD<3> \G
23	NC
22	MC-PC.M_HITADD<15> \G
21	MC-PC.M_HITADD<12> \G
20	CONGND \G
19	MC-PC.M_HITADD<7> \G
18	NC
17	NC
16	PC-MC.M_ZONE<6> \G
15	PC-MC.M_ZONE<3> \G
14	PC-MC.M_ZONE<0> \G
13	NC
12	CONGND \G
11	NC
10	NC
09	NC
08	NC
07	NC
06	NC
05	NC
04	CONGND \G
03	NC
02	NC
01	NC

J5 CONNECTOR

THIS DOCUMENT CONTAINS INFORMATION PROPRIETARY TO CONVEX COMPUTER CORPORATION (CONVEX). USE OR DISCLOSURE WITHOUT THE WRITTEN PERMISSION OF AN OFFICER OF CONVEX IS EXPRESSLY FORBIDDEN. COPYRIGHT (C) CONVEX 1985



CONVEX

TITLE:	FPCONS	ABBR: FPCONS
DRAWING:	410-000124-300 Rev D.02	ENGR: WEATHERFORD
REVISED:	Mon Feb 11 15:47:23 1985	4.11.3

1P
300-41612-396
U18809

A	
01	CONVCC \G
02	CONVCC \G
03	CONVCC \G
04	CONGND \G
05	CONGND \G
06	CONGND \G
07	NC
08	AT-BP. SRC DAT<50>\G
09	CONGND \G
10	AT-BP. SRC PAR<55>\G
11	BP-AT. DST DAT<49>\G
12	BP-AT. DST DAT<52>\G
13	BP-AT. DST DAT<55>\G
14	AT-BP. SRC DAT<24>\G
15	AT-BP. SRC DAT<27>\G
16	AT-BP. SRC DAT<30>\G
17	CONGND \G
18	BP-AT. DST DAT<25>\G
19	BP-AT. DST DAT<29>\G
20	BP-AT. DST PAR<4>\G
21	AT-BP. SRC DAT<58>\G
22	AT-BP. SRC DAT<60>\G
23	AT-BP. SRC DAT<53>\G
24	BP-AT. DST DAT<57>\G
25	CONGND \G
26	BP-AT. DST DAT<62>\G
27	CONGND \G
28	CONGND \G
29	CONGND \G
30	CONVCC \G
31	CONVCC \G
32	CONVCC \G

B	
01	CONVCC \G
02	CONVCC \G
03	CONVCC \G
04	CONGND \G
05	CONGND \G
06	CONGND \G
07	AT-BP. SRC DAT<48>\G
08	AT-BP. SRC DAT<51>\G
09	AT-BP. SRC DAT<53>\G
10	AT-BP. SRC PAR<1>\G
11	BP-AT. DST DAT<50>\G
12	BP-AT. DST DAT<53>\G
13	BP-AT. DST PAR<1>\G
14	AT-BP. SRC DAT<25>\G
15	AT-BP. SRC DAT<28>\G
16	AT-BP. SRC DAT<31>\G
17	BP-AT. DST DAT<24>\G
18	BP-AT. DST DAT<27>\G
19	BP-AT. DST DAT<30>\G
20	AT-BP. SRC DAT<55>\G
21	AT-BP. SRC DAT<59>\G
22	AT-BP. SRC DAT<61>\G
23	AT-BP. SRC PAR<0>\G
24	BP-AT. DST DAT<58>\G
25	BP-AT. DST DAT<60>\G
26	BP-AT. DST DAT<63>\G
27	CONGND \G
28	CONGND \G
29	CONGND \G
30	CONVCC \G
31	CONVCC \G
32	CONVCC \G

C	
01	CONVCC \G
02	CONVCC \G
03	CONVCC \G
04	CONGND \G
05	CONGND \G
06	CONGND \G
07	AT-BP. SRC DAT<49>\G
08	AT-BP. SRC DAT<52>\G
09	AT-BP. SRC DAT<54>\G
10	BP-AT. DST DAT<48>\G
11	BP-AT. DST DAT<51>\G
12	BP-AT. DST DAT<54>\G
13	CONGND \G
14	AT-BP. SRC DAT<26>\G
15	AT-BP. SRC DAT<29>\G
16	AT-BP. SRC PAR<4>\G
17	BP-AT. DST DAT<25>\G
18	BP-AT. DST DAT<28>\G
19	BP-AT. DST DAT<31>\G
20	AT-BP. SRC DAT<57>\G
21	CONGND \G
22	AT-BP. SRC DAT<62>\G
23	BP-AT. DST DAT<56>\G
24	BP-AT. DST DAT<59>\G
25	BP-AT. DST DAT<61>\G
26	BP-AT. DST PAR<0>\G
27	CONGND \G
28	CONGND \G
29	CONGND \G
30	CONVCC \G
31	CONVCC \G
32	CONVCC \G

D
C
B
A

CONNECTOR P1
DEFINE
X_FIRST=0
X_STEP=SIZE

THIS DOCUMENT CONTAINS INFORMATION PROPRIETARY TO CONVEX COMPUTER CORPORATION (CONVEX). USE OR DISCLOSURE WITHOUT THE WRITTEN PERMISSION OF AN OFFICER OF CONVEX IS EXPRESSLY FORBIDDEN. COPYRIGHT (C) CONVEX 1985



TITLE:	PCUCON	ABBR: PCUCON
DRAWING:	410-000124-300 Rev D.02	ENGR: WEATHER
REVISED:	Mon Feb 11 15:37:03 1985	1

1P
300-41612-396
U186J8

A	
01	CONGND \G
02	AT-BP.SRC DAT<4>\G
03	AT-BP.SRC DAT<7>\G
04	BP-AT.DST DAT<1>\G
05	BP-AT.DST DAT<4>\G
06	BP-AT.DST DAT<6>\G
07	AT-BP.SRC DAT<32>\G
08	AT-BP.SRC DAT<35>\G
09	CONGND \G
10	AT-BP.SRC PAR<3>\G
11	BP-AT.DST DAT<34>\G
12	BP-AT.DST DAT<37>\G
13	BP-AT.DST PAR<3>\G
14	AT-BP.SRC DAT<9>\G
15	AT-BP.SRC DAT<12>\G
16	AT-BP.SRC DAT<15>\G
17	CONGND \G
18	BP-AT.DST DAT<11>\G
19	BP-AT.DST DAT<14>\G
20	AT-BP.SRC DAT<40>\G
21	AT-BP.SRC DAT<43>\G
22	AT-BP.SRC DAT<45>\G
23	AT-BP.SRC PAR<2>\G
24	BP-AT.DST DAT<42>\G
25	CONGND \G
26	BP-AT.DST DAT<47>\G
27	AT-BP.SRC DAT<17>\G
28	AT-BP.SRC DAT<20>\G
29	AT-BP.SRC DAT<23>\G
30	BP-AT.DST DAT<16>\G
31	BP-AT.DST DAT<19>\G
32	BP-AT.DST DAT<22>\G

B	
01	AT-BP.SRC DAT<2>\G
02	AT-BP.SRC DAT<5>\G
03	AT-BP.SRC PAR<7>\G
04	BP-AT.DST DAT<2>\G
05	BP-AT.DST DAT<5>\G
06	BP-AT.DST DAT<7>\G
07	AT-BP.SRC DAT<33>\G
08	AT-BP.SRC DAT<36>\G
09	AT-BP.SRC DAT<38>\G
10	BP-AT.DST DAT<32>\G
11	BP-AT.DST DAT<35>\G
12	BP-AT.DST DAT<38>\G
13	AT-BP.SRC DAT<8>\G
14	AT-BP.SRC DAT<10>\G
15	AT-BP.SRC DAT<13>\G
16	AT-BP.SRC PAR<6>\G
17	BP-AT.DST DAT<9>\G
18	BP-AT.DST DAT<12>\G
19	BP-AT.DST DAT<15>\G
20	AT-BP.SRC DAT<41>\G
21	AT-BP.SRC DAT<44>\G
22	AT-BP.SRC DAT<46>\G
23	BP-AT.DST DAT<40>\G
24	BP-AT.DST DAT<43>\G
25	BP-AT.DST DAT<45>\G
26	BP-AT.DST PAR<2>\G
27	AT-BP.SRC DAT<18>\G
28	AT-BP.SRC DAT<21>\G
29	AT-BP.SRC PAR<5>\G
30	BP-AT.DST DAT<17>\G
31	BP-AT.DST DAT<20>\G
32	BP-AT.DST DAT<23>\G

C	
01	AT-BP.SRC DAT<3>\G
02	AT-BP.SRC DAT<6>\G
03	BP-AT.DST DAT<0>\G
04	BP-AT.DST DAT<3>\G
05	CONGND \G
06	BP-AT.DST PAR<7>\G
07	AT-BP.SRC DAT<34>\G
08	AT-BP.SRC DAT<37>\G
09	AT-BP.SRC DAT<39>\G
10	BP-AT.DST DAT<33>\G
11	BP-AT.DST DAT<36>\G
12	BP-AT.DST DAT<39>\G
13	CONGND \G
14	AT-BP.SRC DAT<11>\G
15	AT-BP.SRC DAT<14>\G
16	BP-AT.DST DAT<8>\G
17	BP-AT.DST DAT<10>\G
18	BP-AT.DST DAT<13>\G
19	BP-AT.DST PAR<6>\G
20	AT-BP.SRC DAT<42>\G
21	CONGND \G
22	AT-BP.SRC DAT<47>\G
23	BP-AT.DST DAT<41>\G
24	BP-AT.DST DAT<44>\G
25	BP-AT.DST DAT<46>\G
26	AT-BP.SRC DAT<16>\G
27	AT-BP.SRC DAT<19>\G
28	AT-BP.SRC DAT<22>\G
29	CONGND \G
30	BP-AT.DST DAT<18>\G
31	BP-AT.DST DAT<21>\G
32	BP-AT.DST PAR<5>\G

CONNECTOR P2

THIS DOCUMENT CONTAINS INFORMATION PROPRIETARY TO CONVEX COMPUTER CORPORATION (CONVEX). USE OR DISCLOSURE WITHOUT THE WRITTEN PERMISSION OF AN OFFICER OF CONVEX IS EXPRESSLY FORBIDDEN. COPYRIGHT (C) CONVEX 1985

8	7	6
---	---	---



TITLE:	PCUCON	ABBR: PCUCON
DRAWING:	410-000124-300 Rev D.02	ENGR: WEATHER
REVISED:	Mon Feb 11 15:38:52AQB35	2
3	2	1

1P
 300-41612-396
 U160N7

A	
01	CONGND \G
02	NC
03	NC
04	NC
05	NC
06	NC
07	NC
08	NC
09	CONGND \G
10	NC
11	NC
12	NC
13	NC
14	NC
15	NC
16	NC
17	CONGND \G
18	NC
19	NC
20	NC
21	NC
22	NC
23	NC
24	NC
25	CONGND \G
26	NC
27	NC
28	NC
29	NC
30	NC
31	NC
32	NC

B	
01	NC
02	NC
03	NC
04	NC
05	NC
06	NC
07	NC
08	NC
09	NC
10	NC
11	NC
12	NC
13	NC
14	NC
15	NC
16	NC
17	NC
18	NC
19	NC
20	NC
21	NC
22	NC
23	NC
24	NC
25	NC
26	NC
27	NC
28	NC
29	NC
30	NC
31	NC
32	AT-BP. SRC DAT<0>\G

C	
01	NC
02	NC
03	NC
04	NC
05	CONGND \G
06	NC
07	NC
08	NC
09	NC
10	NC
11	NC
12	NC
13	CONGND \G
14	NC
15	NC
16	NC
17	NC
18	NC
19	NC
20	NC
21	CONGND \G
22	NC
23	NC
24	NC
25	NC
26	NC
27	NC
28	NC
29	CONGND \G
30	NC
31	NC
32	AT-BP. SRC DAT<1>\G

CONNECTOR P3

THIS DOCUMENT CONTAINS INFORMATION PROPRIETARY TO CONVEX COMPUTER CORPORATION (CONVEX). USE OR DISCLOSURE WITHOUT THE WRITTEN PERMISSION OF AN OFFICER OF CONVEX IS EXPRESSLY FORBIDDEN. COPYRIGHT (C) CONVEX 1985



TITLE:	PCUCON	ABBR:	PCUCON
DRAWING:	410-000124-300 Rev D.02	ENGR:	WEATHER
REVISED:	Mon Feb 11 15:40:30 1985		3

1P
300-41612-396
UIB8T6

A	
01	CONGND \G
02	NC
03	AT-PC.WR_ZONE <0> \G
04	AT-PC.WR_ZONE <3> \G
05	AT-PC.WR_ZONE <6> \G
06	AT-PC.A_VALID* \G
07	AT-PC.MEM_CYC <0> \G
08	NC
09	CONGND \G
10	NC
11	NC
12	NC
13	NC
14	NC
15	NC
16	NC
17	CONGND \G
18	PC-AT.ADR_BUF_AV* \G
19	PC-AT.WR_BUF_AV* \G
20	AT-PC.A_WR_DAT_AV* \G
21	NC
22	PC-PM.CACHE_BYPASS \G
23	PC-PM.CACHE_HIT_B \G
24	PC-PM.CACHE_HIT_A \G
25	CONGND \G
26	NC
27	AS-PC.FLUSH_PCU* \G
28	NC
29	PC-PM.CACHE_WRITE_B \G
30	PC-PM.CACHE_WRITE_A \G
31	PC-PM.CACHE_READ_B \G
32	PC-PM.CACHE_READ_A \G

B	
01	NC
02	NC
03	AT-PC.WR_ZONE <1> \G
04	AT-PC.WR_ZONE <4> \G
05	AT-PC.WR_ZONE <7> \G
06	AT-PC.B_VALID* \G
07	AT-PC.MEM_CYC <1> \G
08	NC
09	NC
10	NC
11	NC
12	NC
13	NC
14	NC
15	NC
16	NC
17	NC
18	AT-PC.ABUF_CLR* \G
19	PC-AT.A_DAV* \G
20	AT-PC.B_WR_DAT_AV* \G
21	NC
22	PC-PM.L2_REQ \G
23	PC-PM.L1_REQ \G
24	PC-PM.ROM_ADDR<8> \G
25	PC-PM.ROM_ADDR<7> \G
26	PC-PM.ROM_ADDR<6> \G
27	PC-PM.ROM_ADDR<5> \G
28	PC-PM.ROM_ADDR<4> \G
29	PC-PM.ROM_ADDR<3> \G
30	PC-PM.ROM_ADDR<2> \G
31	PC-PM.ROM_ADDR<1> \G
32	PC-PM.ROM_ADDR<0> \G

C	
01	NC
02	NC
03	AT-PC.WR_ZONE <2> \G
04	AT-PC.WR_ZONE <5> \G
05	CONGND \G
06	AT-PC.MEM_REQ* \G
07	AT-PC.PCAC_BYPASS* \G
08	NC
09	NC
10	NC
11	NC
12	NC
13	CONGND \G
14	NC
15	PC-AT.NO_FLUSH* \G
16	NC
17	AT-PC.DEST_EN* \G
18	AT-PC.BBUF_CLR* \G
19	PC-AT.B_DAV* \G
20	AT-PC.ENCACHE \G
21	CONGND \G
22	NC
23	PC-PM.IO_TAG_HIT* \G
24	PC-PM.MEM_QUE_GT4 \G
25	PC-PM.MEM_QUE_GT2 \G
26	PC-PM.MEM_QUE_GT1 \G
27	PC-PM.MEM_QUE_EMPTY \G
28	PC-PM.MCU_REQ<3> \G
29	CONGND \G
30	PC-PM.MCU_REQ<2> \G
31	PC-PM.MCU_REQ<1> \G
32	PC-PM.MCU_REQ<0> \G

CONNECTOR P4

THIS DOCUMENT CONTAINS INFORMATION PROPRIETARY TO CONVEX COMPUTER CORPORATION (CONVEX). USE OR DISCLOSURE WITHOUT THE WRITTEN PERMISSION OF AN OFFICER OF CONVEX IS EXPRESSLY FORBIDDEN. COPYRIGHT (C) CONVEX 1985



TITLE:	PCUCON	ABBR:	PCUCON
DRAWING:	410-000124-300 Rev D.02	ENGR:	WEATHER
REVISED:	Mon Feb 11 15:41:59 PAGE 65		4

1P
300-41612-396
U188Y5

A	
01	CONVCC \G
02	CONVCC \G
03	CONVCC \G
04	CONGND \G
05	CONGND \G
06	CONGND \G
07	AT-PC.PADDR A<0>\G
08	AT-PC.PADDR A<2>\G
09	CONGND \G
10	AT-PC.PADDR A<5>\G
11	AT-PC.PADDR A<7>\G
12	AT-PC.PADDR A<9>\G
13	AT-PC.PADDR A<11>\G
14	AT-PC.PADDR<12>\G
15	AT-PC.PADDR<14>\G
16	AT-PC.PADDR<16>\G
17	CONGND \G
18	AT-PC.PADDR<19>\G
19	AT-PC.PADDR<21>\G
20	AT-PC.PADDR<23>\G
21	AT-PC.PADDR<25>\G
22	AT-PC.PADDR<27>\G
23	AT-PC.PADDR<30>\G
24	AT-PC.PADDR B<4>\G
25	CONGND \G
26	AT-PC.PADDR B<9>\G
27	CONGND \G
28	CONGND \G
29	CONGND \G
30	CONVCC \G
31	CONVCC \G
32	CONVCC \G

B	
01	CONVCC \G
02	CONVCC \G
03	CONVCC \G
04	CONGND \G
05	CONGND \G
06	CONGND \G
07	CRISP-PC.PCU20MHZ \G
08	CRISP-PC.PCUMPHASE \G
09	NC
10	PC-SP.PCUERR* \G
11	SP-PC.PCUODENA* \G
12	SP-BP.JPDMODE* \G
13	SP-BP.JPSCTL <0>* \G
14	SP-BP.JPSCTL <1>* \G
15	SP-BP.JPLDRAM* \G
16	SP-BP.JPCLEAR* \G
17	SP-BP.JPMSBDOUT* \G
18	SP-BP.JPLSBDOUT* \G
19	BP-BP.JPHALT* \G
20	NC
21	AT-PC.PADDR<26>\G
22	AT-PC.PADDR<28>\G
23	AT-PC.PADDR B<2>\G
24	AT-PC.PADDR B<5>\G
25	AT-PC.PADDR B<7>\G
26	AT-PC.PADDR B<10>\G
27	CONGND \G
28	CONGND \G
29	CONGND \G
30	CONVCC \G
31	CONVCC \G
32	CONVCC \G

C	
01	CONVCC \G
02	CONVCC \G
03	CONVCC \G
04	CONGND \G
05	CONGND \G
06	CONGND \G
07	AT-PC.PADDR A<1>\G
08	AT-PC.PADDR A<3>\G
09	AT-PC.PADDR A<4>\G
10	AT-PC.PADDR A<6>\G
11	AT-PC.PADDR A<8>\G
12	AT-PC.PADDR A<10>\G
13	CONGND \G
14	AT-PC.PADDR<13>\G
15	AT-PC.PADDR<15>\G
16	AT-PC.PADDR<17>\G
17	AT-PC.PADDR<18>\G
18	AT-PC.PADDR<20>\G
19	AT-PC.PADDR<22>\G
20	AT-PC.PADDR<24>\G
21	CONGND \G
22	AT-PC.PADDR<29>\G
23	AT-PC.PADDR B<3>\G
24	AT-PC.PADDR B<6>\G
25	AT-PC.PADDR B<8>\G
26	AT-PC.PADDR B<11>\G
27	CONGND \G
28	CONGND \G
29	CONGND \G
30	CONVCC \G
31	CONVCC \G
32	CONVCC \G

D
C
B
A

CONNECTOR P5

THIS DOCUMENT CONTAINS INFORMATION PROPRIETARY TO CONVEX COMPUTER CORPORATION (CONVEX). USE OR DISCLOSURE WITHOUT THE WRITTEN PERMISSION OF AN OFFICER OF CONVEX IS EXPRESSLY FORBIDDEN. COPYRIGHT (C) CONVEX 1985



CONVEX

TITLE:	PCUCON	ABBR:	PCUCON
DRAWING:	410-000124-300 Rev D.02	ENGR:	WEATHER
REVISED:	Mon Feb 11 15:43:1985		5